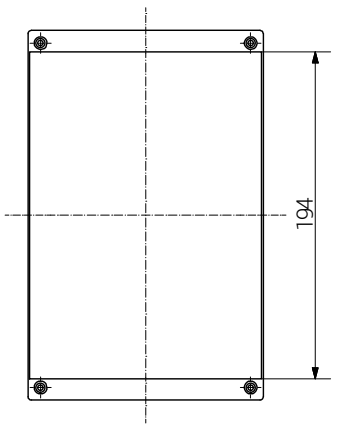
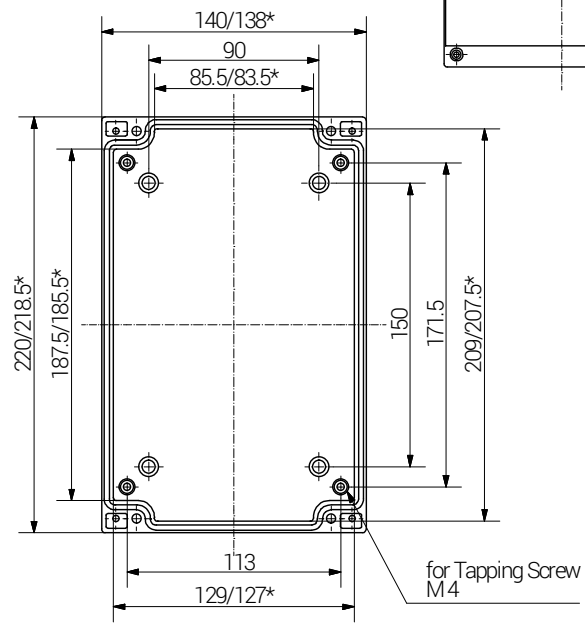


View F



lid

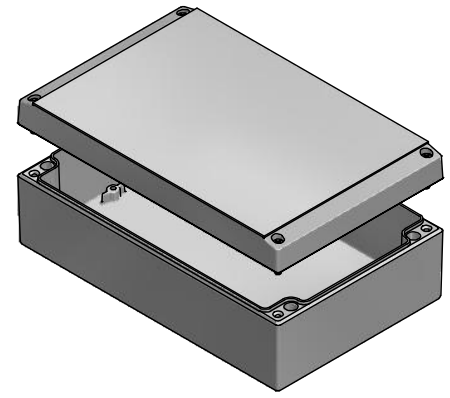
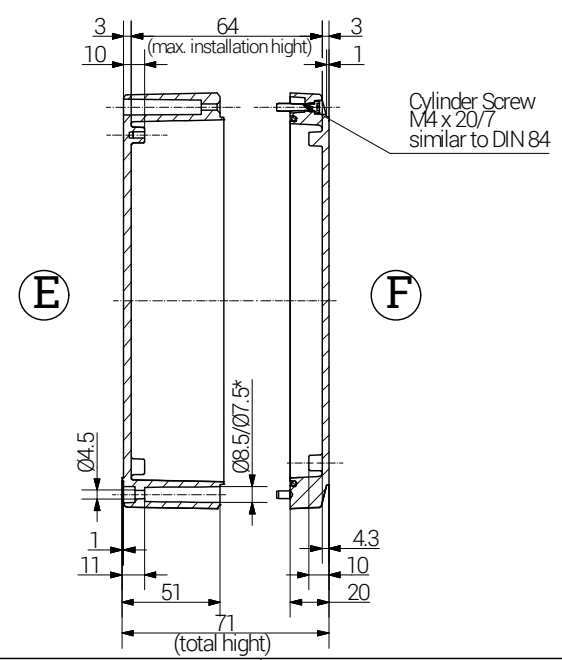
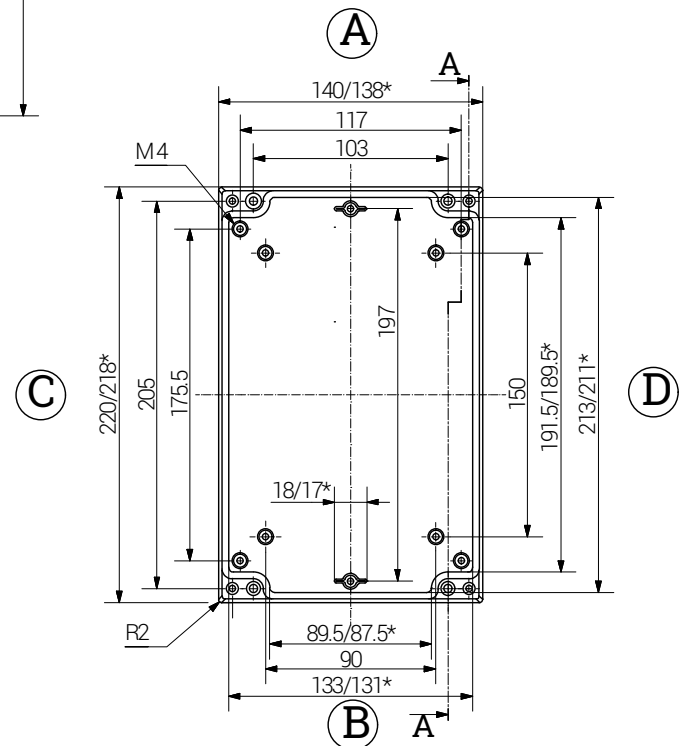


Article	Length (mm)	Width (mm)	Height (mm)	Mounting Rail		Mounting Plate	External bars pair	External Hinge in Aluminium pair
				TS 15	TS 35			
08 221407 000	220	140	70	X	X	X	X	X

\*= Dimension reduced at bottom due to conical form  
Tolerances to GTA 13/5 - DIN 1688.

base

Section A-A



Weight: 1100 g

		<b>RST Rabe-System-Technik und Vertriebs-GmbH</b> Otto-Lilienthal-Strasse 19 49134 Wallenhorst ☎ +49 5407 8766-0 ☎ +49 5407 8766-99 ✉ info@rst.eu		Unless otherwise specified on the drawing: Metric Thread = EN 60423 PG Thread = DIN 40430 NPT Thread = ANSI B1.20.1 Tolerance: DIN ISO 2768-m All dimensions in mm.		Abusively use, in particular reproduction and dissemination to third parties is not permitted. You can be punished by civil law. Technical changes are reserved.																		
		<table border="1"> <thead> <tr> <th>Date</th> <th>Name</th> </tr> </thead> <tbody> <tr> <td>Draw. 08.06.2018</td> <td>SL</td> </tr> <tr> <td>Appr. 08.06.2018</td> <td>KH</td> </tr> <tr> <td>Norm</td> <td></td> </tr> <tr> <td>Scale:</td> <td>1:4</td> </tr> <tr> <td>Material:</td> <td>Aluminium</td> </tr> </tbody> </table>	Date	Name	Draw. 08.06.2018	SL	Appr. 08.06.2018	KH	Norm		Scale:	1:4	Material:	Aluminium	<h2 style="text-align: center;">Electronic Enclosure</h2> <h3 style="text-align: center;">220 x 140 x 70 mm</h3>		Drawing-Nr.: 08 221407 000		<table border="1"> <tr> <td style="text-align: center;">1</td> <td style="text-align: center;">of 1</td> </tr> <tr> <td colspan="2" style="text-align: center;">A4</td> </tr> <tr> <td colspan="2" style="text-align: center;">V8</td> </tr> </table>		1	of 1	A4	
Date	Name																							
Draw. 08.06.2018	SL																							
Appr. 08.06.2018	KH																							
Norm																								
Scale:	1:4																							
Material:	Aluminium																							
1	of 1																							
A4																								
V8																								
Status	Modification	Date	Name	Z:\Inventor\Gehäuse\Elektronikgehäuse-Aluminium\08221407000\Elektronikgehäuse-Alu-10-BG-0001-08_221407_000.idw																				

Please note that the above representation is just a dimension illustration.