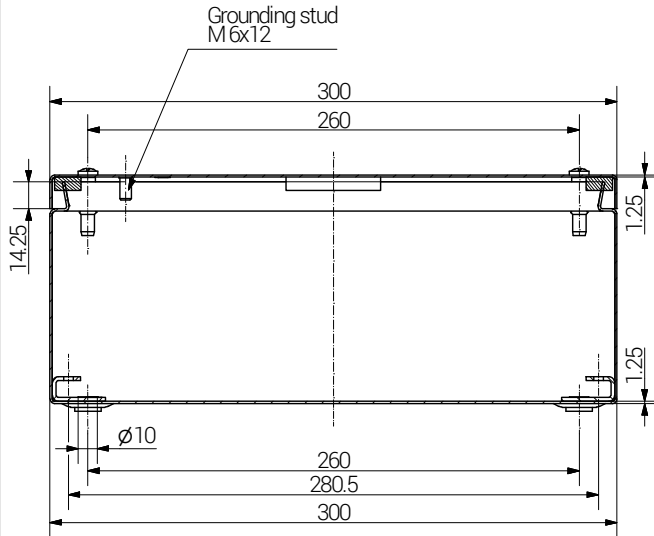


Article		Length	Width	Height	External Mounting Brackets	External Hinge
Ex e	Ex ia	(mm)	(mm)	(mm)	Aluminium set	pair
21 302012 000	22 302012 000	300	200	121	x	x

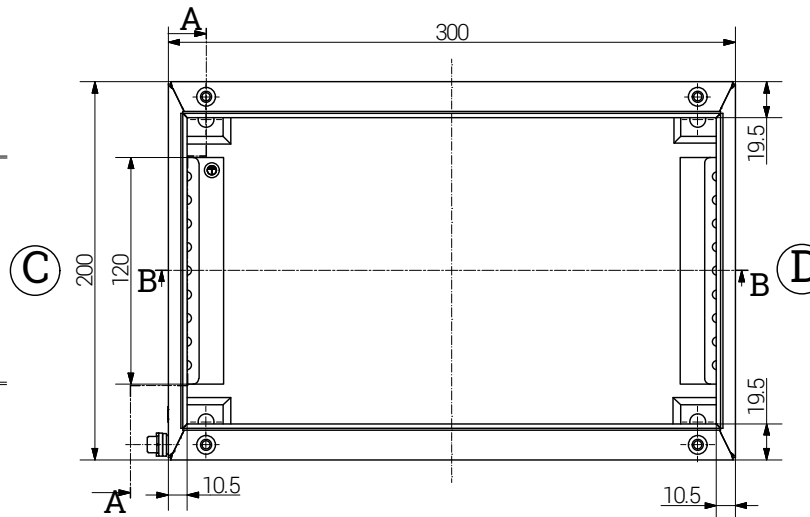
Section B-B



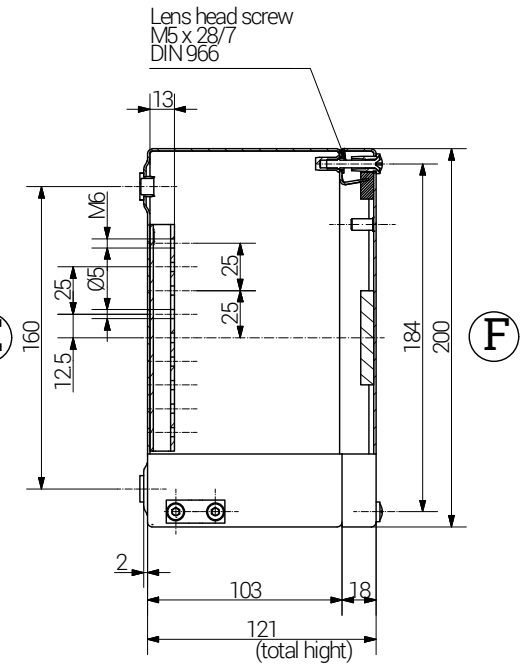
base

(A)

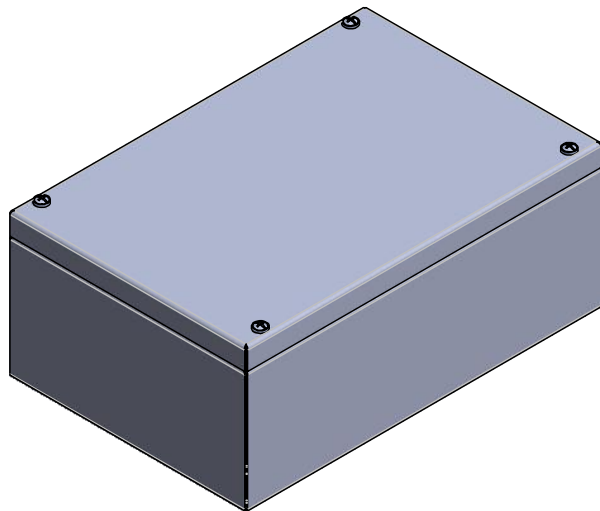
Section A-A




(B)



(F)



		<b>RST Rabe-System-Technik und Vertriebs-GmbH</b> Otto-Lilienthal-Strasse 19 49134 Wallenhorst ☎ +49 5407 8766-0 📠 +49 5407 8766-99 📧 info@rst.eu			Unless otherwise specified on the drawing: Metric Thread = EN 60423 PG Thread = DIN 40430 NPT Thread = ANSI B1.20.1 Tolerance: DIN ISO 2768-m All dimensions in mm.		Abusively use, in particular reproduction and dissemination to third parties is not permitted. You can be punished by civil law. Technical changes are reserved.		
		Draw.	12.06.2018	SL	<h1>Enclosure</h1> <h2>300 x 200 x 121 mm</h2>				
Appr.	12.06.2018	KH							
Norm									
Scale:		1:4							
Material:			Stainless Steel		Drawing-Nr.:		see table		
Status	Modification	Date	Name	Z:\Inventor\Gehäuse\Ex-Gehäuse-Edelstahl\21302012000\Ex-Edelstahl-Gehäuse-10-BG-0001-21302012000.rdw				1	of 1
								A4	V4

Please note that the above representation is just a dimension illustration.