

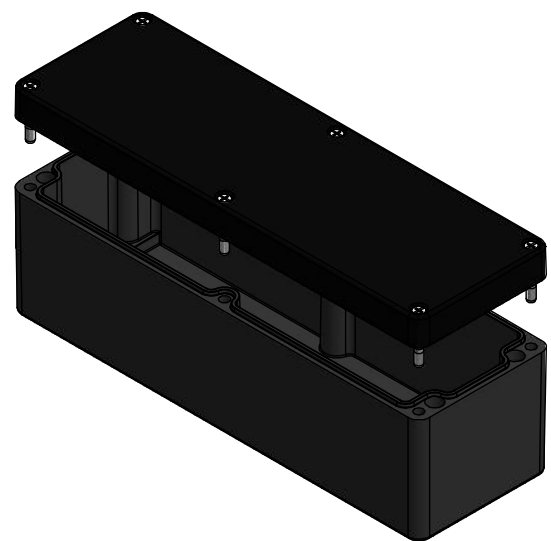
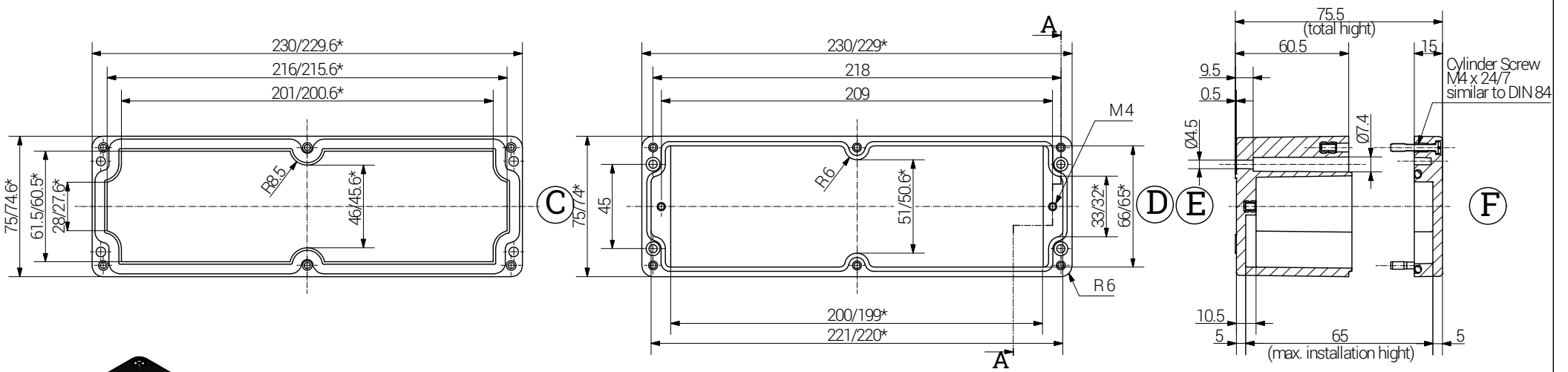
Article		Length (mm)	Width (mm)	Height (mm)	DIN Rail for Terminals		PE Busbar	PE Angele Brackets	Mounting Plate Thickness in mm	External Mounting Brackets in	External Hinge	Off-Shore Plate
Ex e	Ex ia				TS 15	TS 35						
17 230808 000	18 230808 000	230	75	75	X	-	-	X	-	Aluminium set X	pair -	X

a) Sheet steel, zinc-plated
b) Pertinax (Hartpapier)


lid

base

Section A-A



*= Dimension reduced at bottom due to conical form
Tolerances to DIN 16901-130.

		RST Rabe-System-Technik und Vertriebs-GmbH Otto-Lilienthal-Strasse 19 49134 Wallenhorst ☎ +49 5407 8766-0 📠 +49 5407 8766-99 ✉ info@rst.eu			Unless otherwise specified on the drawing: Metric Thread = EN 60423 PG Thread = DIN 40430 NPT Thread = ANSI B1.20.1 Tolerance: DIN ISO 2768-m All dimensions in mm.		Abusively use, in particular reproduction and dissemination to third parties is not permitted. You can be punished by civil law. Technical changes are reserved.																						
		<table border="1"> <thead> <tr> <th></th> <th>Date</th> <th>Name</th> </tr> </thead> <tbody> <tr> <td>Draw.</td> <td>08.06.2018</td> <td>SL</td> </tr> <tr> <td>Appr.</td> <td>08.06.2018</td> <td>KH</td> </tr> <tr> <td>Norm</td> <td></td> <td></td> </tr> <tr> <td>Scale:</td> <td></td> <td>1:3</td> </tr> <tr> <td>Material:</td> <td colspan="2">Polyester</td> </tr> </tbody> </table>			Date	Name	Draw.	08.06.2018	SL	Appr.	08.06.2018	KH	Norm			Scale:		1:3	Material:	Polyester		Drawing-Nr.: see table		<table border="1"> <tr> <td>1</td> <td>of 1</td> </tr> <tr> <td colspan="2">A4</td> </tr> <tr> <td colspan="2">V8</td> </tr> </table>		1	of 1	A4	
	Date	Name																											
Draw.	08.06.2018	SL																											
Appr.	08.06.2018	KH																											
Norm																													
Scale:		1:3																											
Material:	Polyester																												
1	of 1																												
A4																													
V8																													
Status	Modification	Date	Name	Z:\Inventor\Gehäuse\Ex-Gehäuse-Polyester\17230808000\Ex-Polyester-Gehäuse-10-BG-0001-17_230808_000.idw																									

Please note that the above representation is just a dimension illustration.