

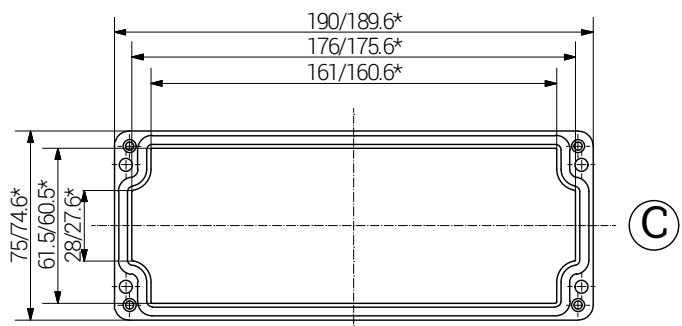
| Article | Length (mm) | Width (mm) | Height (mm) | DIN Rail for Terminals | | Mounting Plate Thickness in mm | External Mounting Brackets in Stainless Steel set | External Hinge in Aluminium pair |
|---------------|----------------|---------------|----------------|------------------------|-------|-----------------------------------|---|----------------------------------|
| | | | | TS 15 | TS 35 | | | |
| 07 190808 010 | 190 | 75 | 75 | x | - | 2.0 ^{b)} | x | - |

b) Pertinax (Hartpapier)

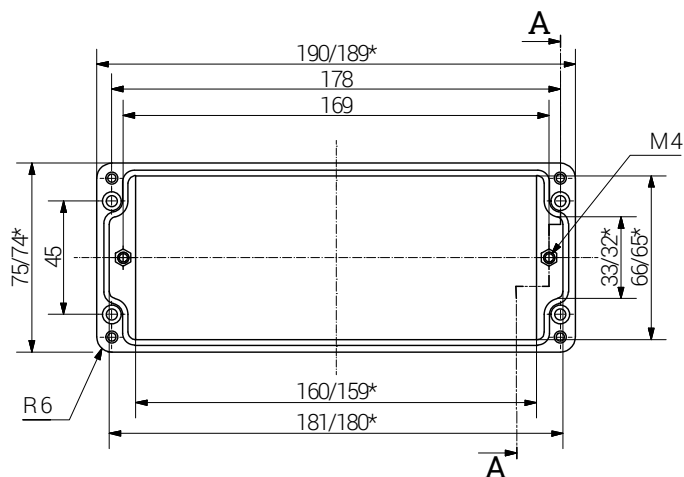
lid

base

Section A-A

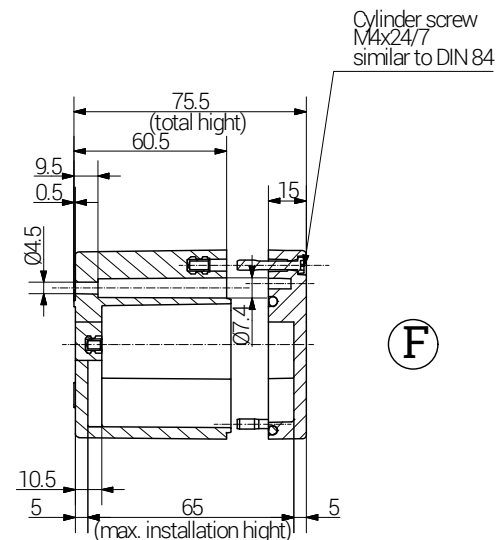


C



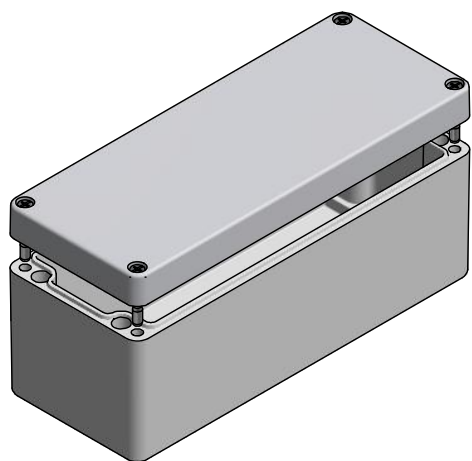
A

D E




F

Cylinder screw
M4x24/7
similar to DIN 84



Weight: 530 g

*= Dimension reduced at bottom due to conical form
Tolerances to DIN 16901-130.

| | | | | | | | |
|---|--------------|--|------------|--|--------------|--|------|
|  | | RST Rabe-System-Technik und Vertriebs-GmbH Otto-Lilienthal-Strasse 19 49134 Wallenhorst ☎ +49 5407 8766-0 ☎ +49 5407 8766-99 ✉ info@rst.eu | | Unless otherwise specified on the drawing: Metric Thread = EN 60423 PG Thread = DIN 40430 NPT Thread = ANSI B1.20.1 Tolerance: DIN ISO 2768-m All dimensions in mm. | | Abusively use, in particular reproduction and dissemination to third parties is not permitted. You can be punished by civil law. Technical changes are reserved. | |
| | | | | | | | |
| | | Appr. | 29.05.2018 | KH | | | |
| | | Norm | | | | | |
| | | Scale: | | | 1:3 | | |
| | | Material: | Polyester | | Drawing-Nr.: | 07 190808 010 | |
| Status | Modification | Date | Name | Z:\Inventor\Gehäuse\Gehäuse-Polyester\07_190808_010\Polyester-Gehäuse-10-BG-0001-07_190808_010.idw | | 1 | of 1 |
| | | | | | | A4 | |
| | | | | | | V20 | |

Enclosure
190 x 75 x 75 mm

Please note that the above representation is just a dimension illustration.