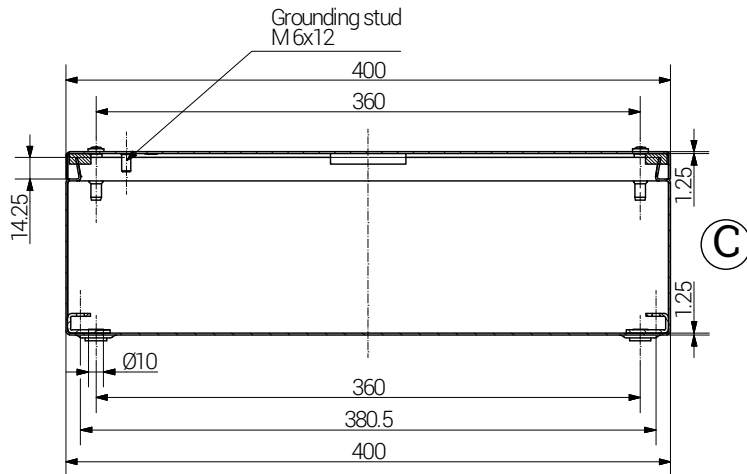


Article		Length	Width	Height	External Mounting Brackets	External Hinge
Ex e	Ex ia	(mm)	(mm)	(mm)	Aluminium set	pair
21 402012 000	22 402012 000	400	200	121	x	x

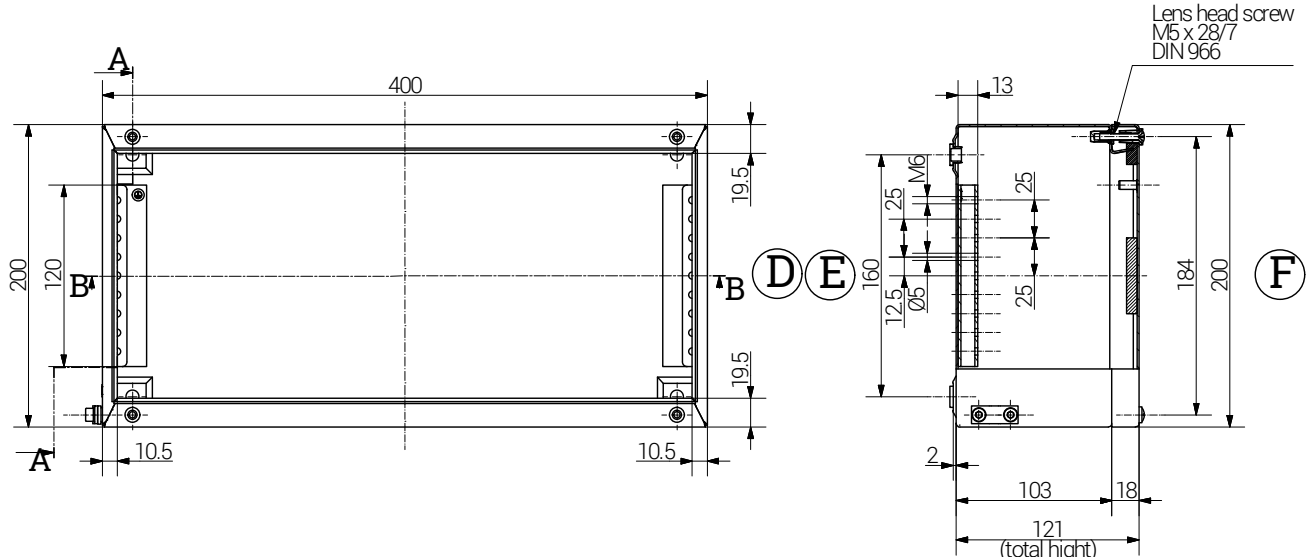
Section B-B



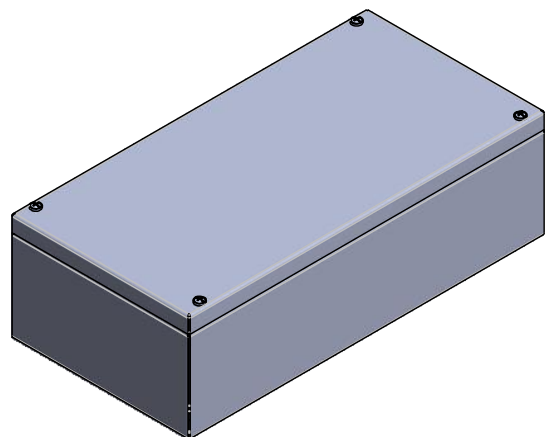
base


(A)

Section A-A



(B)



		RST Rabe-System-Technik und Vertriebs-GmbH Otto-Lilienthal-Strasse 19 49134 Wallenhorst ☎ +49 5407 8766-0 ☎ +49 5407 8766-99 ✉ info@rst.eu		Unless otherwise specified on the drawing: Metric Thread = EN 60423 PG Thread = DIN 40430 NPT Thread = ANSI B1.20.1 Tolerance: DIN ISO 2768-m All dimensions in mm.		Abusively use, in particular reproduction and dissemination to third parties is not permitted. You can be punished by civil law. Technical changes are reserved.		
				Date	Name	<h1>Enclosure</h1> <h2>400 x 200 x 121 mm</h2>		
				Draw.	12.06.2018			SL
				Appr.	12.06.2018			KH
				Norm				
				Scale:				1:5
				Material:	Stainless Steel		Drawing-Nr.:	see table
Status	Modification	Date	Name	Z:\Inventor\Gehäuse\Ex-Gehäuse-Edelstahl\21402012000\Ex-Edelstahl-Gehäuse-11-BG-0001-21402012000.rdw			1	of 1
							A4	V6

Please note that the above representation is just a dimension illustration.