

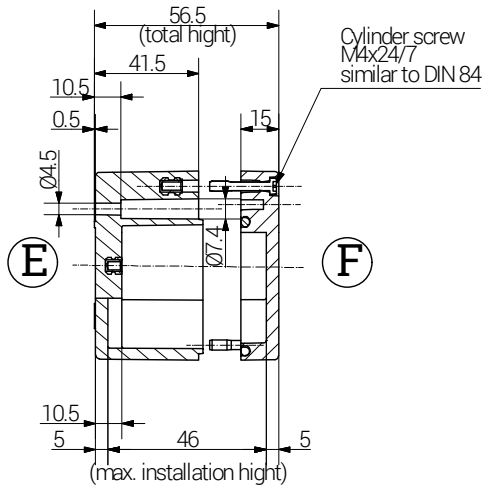
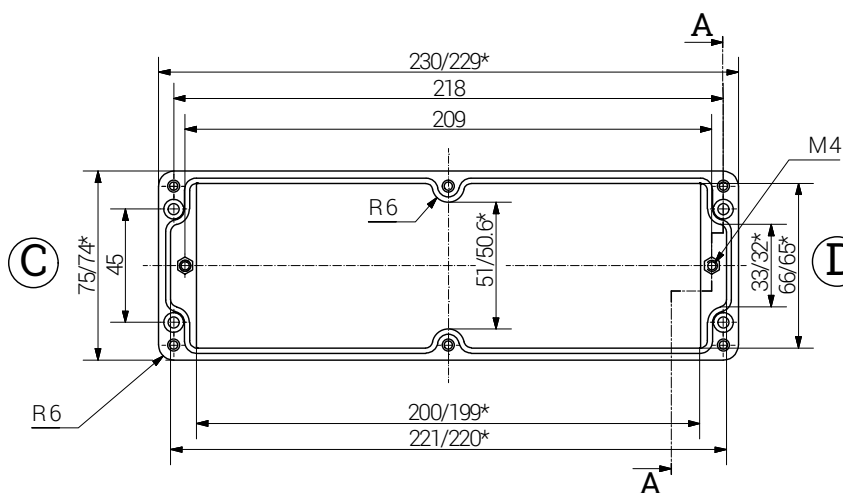
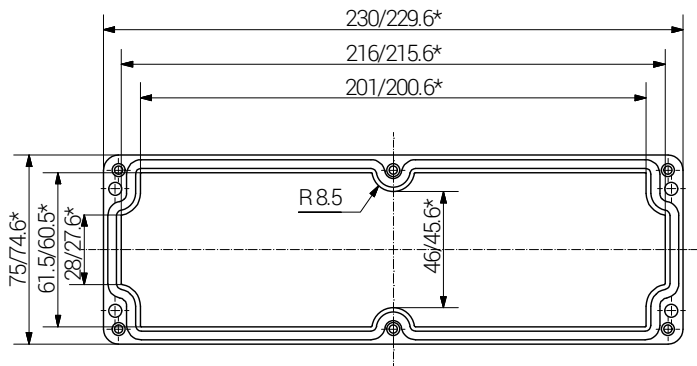
Article	Length (mm)	Width (mm)	Height (mm)	DIN Rail for Terminals		Mounting Plate Thickness in mm	External Mounting Brackets in Stainless Steel set	External Hinge in Aluminium pair
				TS 15	TS 35			
07 230806 010	230	75	55	X	-	-	X	-

lid

base

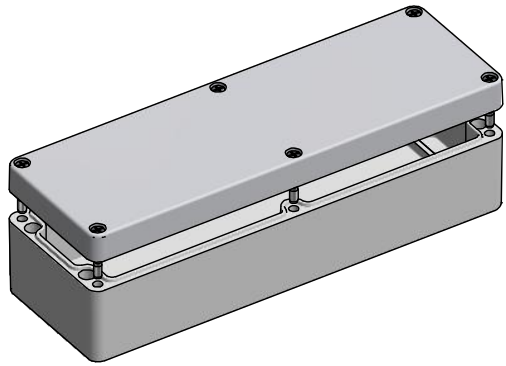
Section A-A

A



B

*= Dimension reduced at bottom due to conical form
Tolerances to DIN 16901-130.



RST Rabe-System-Technik und Vertriebs-GmbH
 Otto-Lilienthal-Strasse 19
 49134 Wallenhorst
 ☎ +49 5407 8766-0
 ☎ +49 5407 8766-99
 ✉ info@rst.eu

Unless otherwise specified on the drawing:
 Metric Thread = EN 60423
 PG Thread = DIN 40430
 NPT Thread = ANSI B1.20.1
 Tolerance: DIN ISO 2768-m
 All dimensions in mm.

Abusively use, in particular reproduction and dissemination to third parties is not permitted. You can be punished by civil law. Technical changes are reserved.

		Date	Name
Draw.		29.05.2018	SL
Appr.		29.05.2018	KH
Norm			
Scale:			1:3
Material:			Polyester
Status	Modification	Date	Name

Enclosure	
230 x 75 x 55 mm	
Drawing-Nr.:	07 230806 010
	1 of 1
	A4
	V47

Weight: 575 g

Please note that the above representation is just a dimension illustration.

Z:\Inventor\Gehäuse\Gehäuse-Polyester\07_230806_010\Polyester-Gehäuse-11-BG-0001-07_230806_010.idw