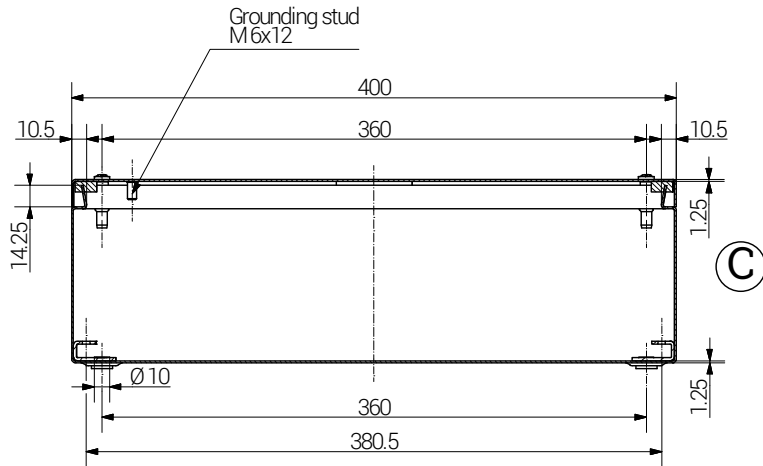


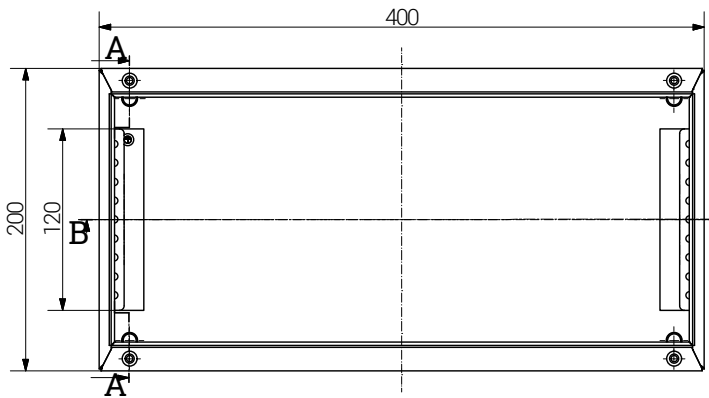
Article	Length	Width	Height	External Mounting Brackets	External Hinge
	(mm)	(mm)	(mm)	Aluminium set	pair
20 402012 000	400	200	121	x	x

Section B-B



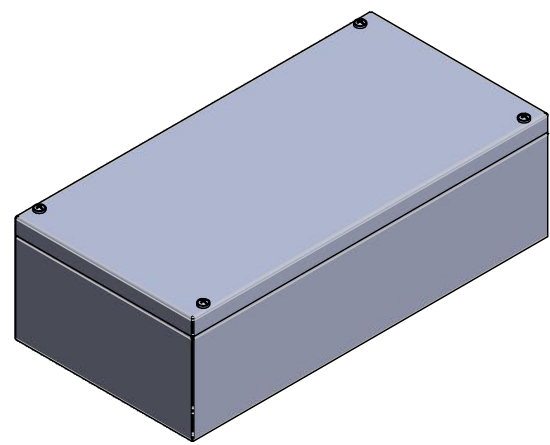
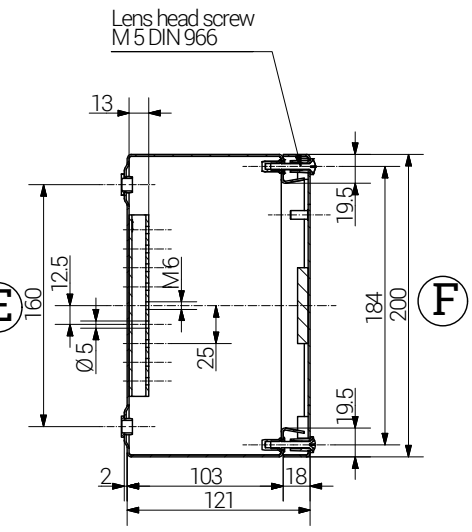
base


(A)



(B)

Section A-A



		RST Rabe-System-Technik und Vertriebs-GmbH Otto-Lilienthal-Strasse 19 49134 Wallenhorst ☎ +49 5407 8766-0 ☎ +49 5407 8766-99 ✉ info@rst.eu			Unless otherwise specified on the drawing: Metric Thread = EN 60423 PG Thread = DIN 40430 NPT Thread = ANSI B1.20.1 Tolerance: DIN ISO 2768-m All dimensions in mm.		Abusively use, in particular reproduction and dissemination to third parties is not permitted. You can be punished by civil law. Technical changes are reserved.		
		Draw.	30.05.2018	SL	<h1>Enclosure</h1> <h2>400 x 200 x 121 mm</h2>				
Appr.	30.05.2018	KH							
Norm									
Scale:		1:5							
Material:			Stainless Steel		Drawing-Nr.:		20402012000		
Status	Modification	Date	Name	Z:\Inventor\Gehäuse\Gehäuse-Edelstahl\20402012000\Edelstahl-Gehäuse-11-BG-0001-20402012000.idw				1	of 1
								A4	V7

Please note that the above representation is just a dimension illustration.