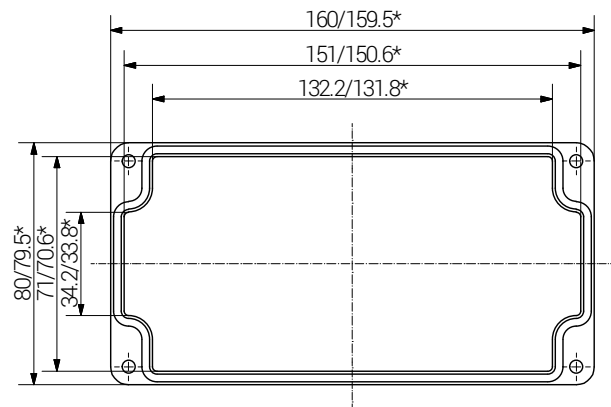
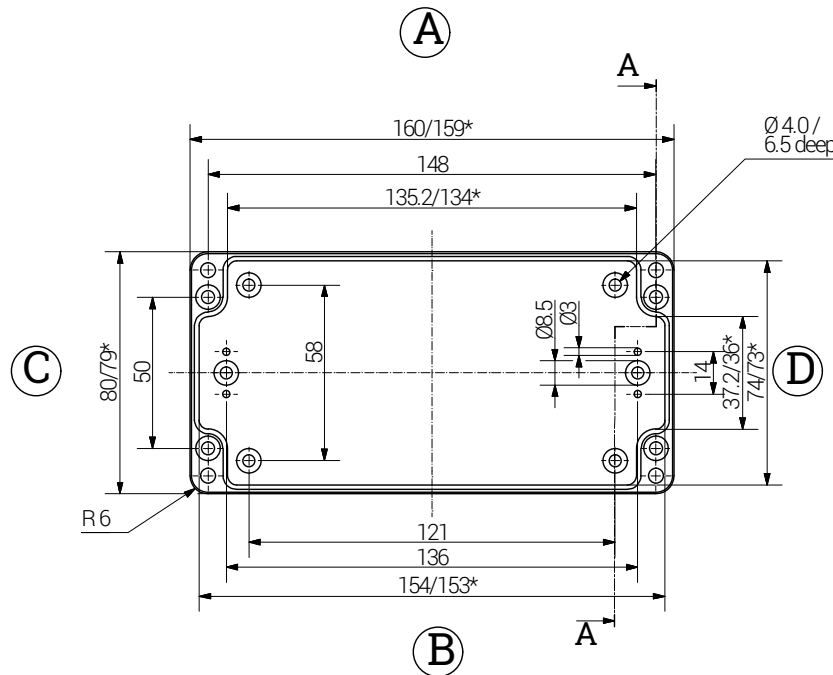


Article			Length (mm)	Width (mm)	Height (mm)	DIN Rail for Terminals		Mounting Plate Thickness in mm	External Mounting Brackets set	External Hinge Appr. 150°C PC pair
ABS	Polycarbonate	Polycarbonate with clear lid				TS 15	TS 35			
01 160809 000	02 160809 000	02 160809 045	160	80	85	x	x	1.5	x	x

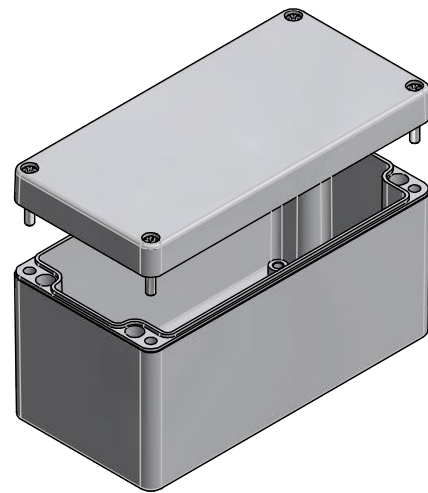
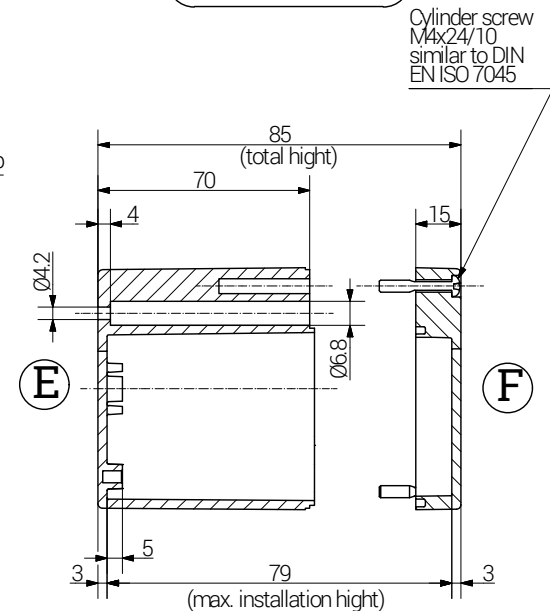
lid



base




Section A-A



Weight: 295g

*= Dimension reduced at bottom due to conical form.
Tolerances to DIN 16901-130.

		RST Rabe-System-Technik und Vertriebs-GmbH Otto-Lilienthal-Strasse 19 49134 Wallenhorst ☎ +49 5407 8766-0 ☎ +49 5407 8766-99 ✉ info@rst.eu			Unless otherwise specified on the drawing: Metric Thread = EN 60423 PG Thread = DIN 40430 NPT Thread = ANSI B1.20.1 Tolerance: DIN ISO 2768-m All dimensions in mm.			Abusively use, in particular reproduction and dissemination to third parties is not permitted. You can be punished by civil law. Technical changes are reserved.		
			Date: 28.05.2018 Name: KH			<h1>Enclosure</h1> <h2>160 x 80 x 85 mm</h2>				
			Norm:							
			Scale: 1:2.5							
			Material: see table						Drawing-Nr.: see table	
Status	Modification	Date	Name	Z:\Inventor\Gehäuse\Gehäuse-ABS\01160809000\ABS-Gehäuse-12-BG-0001-01_160809_000.idw			1 of 1 A4 V77			

Please note that the above representation is just a dimension illustration.