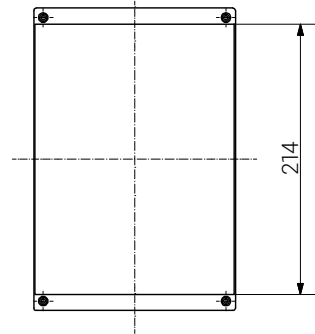
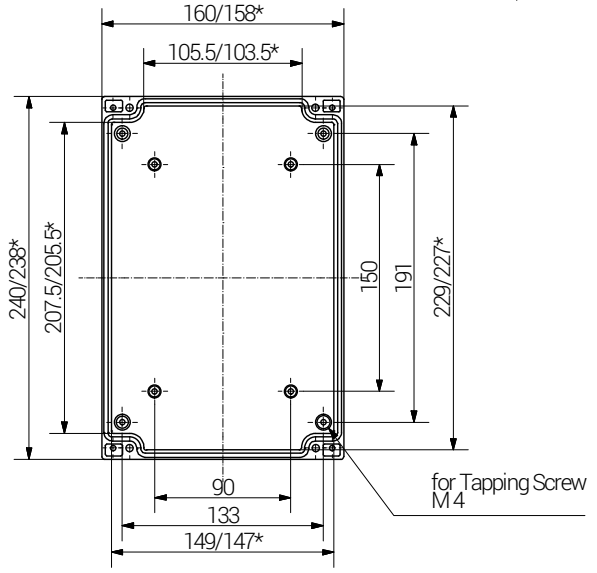


View F



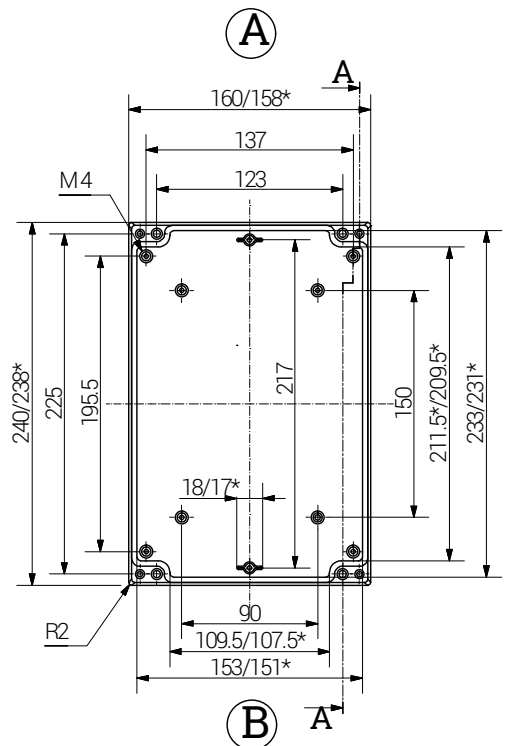
lid



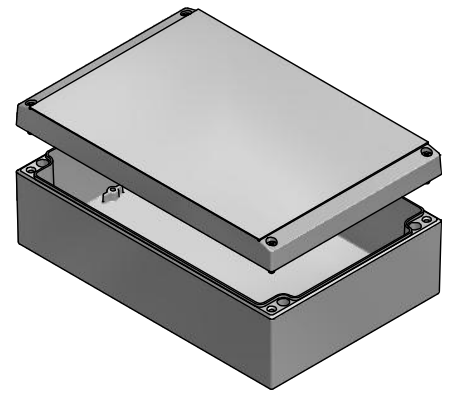
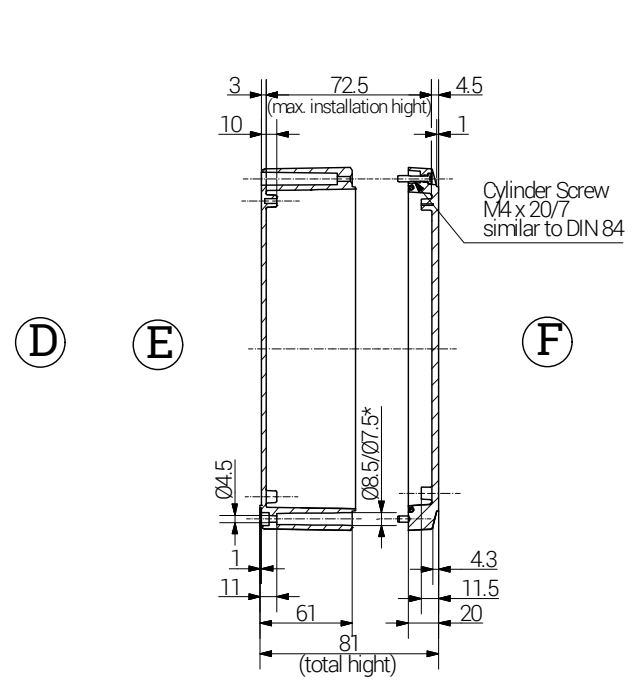
Article	Length (mm)	Width (mm)	Height (mm)	Mounting Rail		Mounting Plate	External bars pair	External Hinge in Aluminium pair
				TS 15	TS 35			
08 241608 000	240	160	80	X	X	X	X	X

\*= Dimension reduced at bottom due to conical form  
Tolerances to GTA 13/5 - DIN 1688.


base



Section A-A



Weight: 1450 g

		<b>RST Rabe-System-Technik und Vertriebs-GmbH</b> Otto-Lilienthal-Strasse 19 49134 Wallenhorst ☎ +49 5407 8766-0 📠 +49 5407 8766-99 ✉ info@rst.eu			Unless otherwise specified on the drawing: Metric Thread = EN 60423 PG Thread = DIN 40430 NPT Thread = ANSI B1.20.1 Tolerance: DIN ISO 2768-m All dimensions in mm.		Abusively use, in particular reproduction and dissemination to third parties is not permitted. You can be punished by civil law. Technical changes are reserved.	
		Date Draw. 08.06.2018 Appr. 08.06.2018 Norm Scale: 1:5 Material: Aluminium	Name SL KH	<h1>Electronic Enclosure</h1> <h2>240 x 160 x 80 mm</h2>		Drawing-Nr.: 08 241608 000	1 of 1 A4 V14	
Status	Modification	Date	Name	Z:\Inventor\Gehäuse\Elektronikgehäuse-Aluminium\08241608000\Elektronikgehäuse-Alu-12-BG-0001-08_241608_000.idw				

Please note that the above representation is just a dimension illustration.