

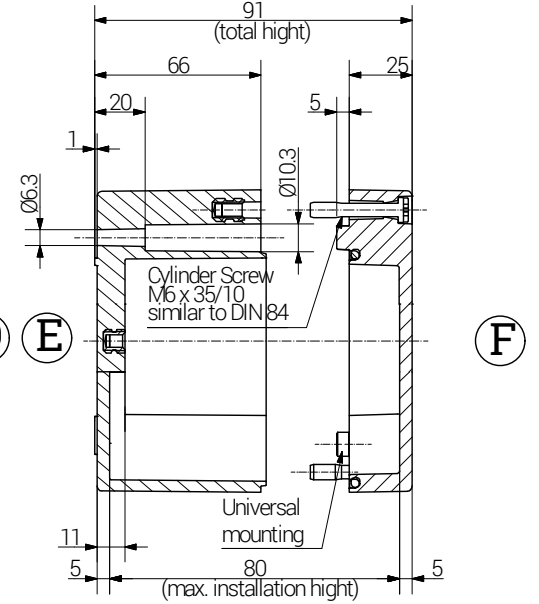
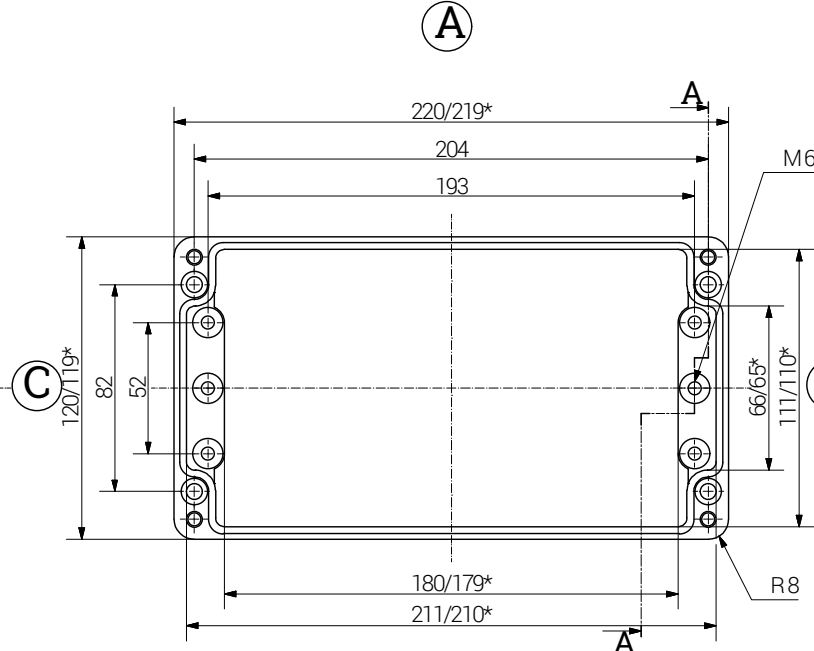
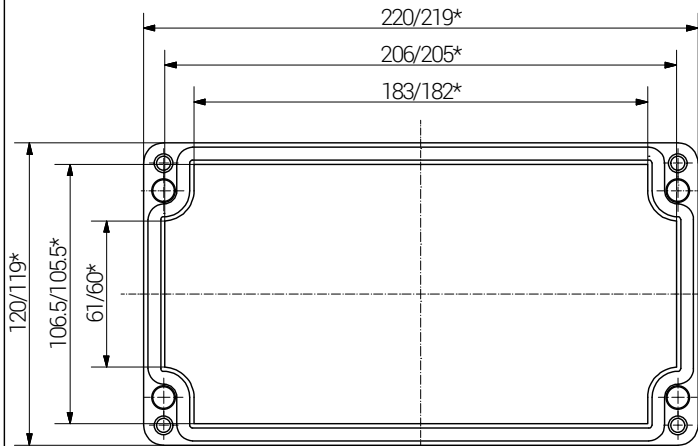
Article		Length (mm)	Width (mm)	Height (mm)	DIN Rail for Terminals		PE Busbar	PE Angele Brackets	Mounting Plate Thickness in mm	External Mounting Brackets in Aluminium set	External Hinge pair	Off-Shore Plate
Ex e	Ex ia				TS 15	TS 35						
17 221 209 000	18 221 209 000	220	120	90	X	X	-	X	1.5 ^{a)}	X	X	X

a) Sheet steel, zinc-plated
b) Pertinax (Hartpapier)

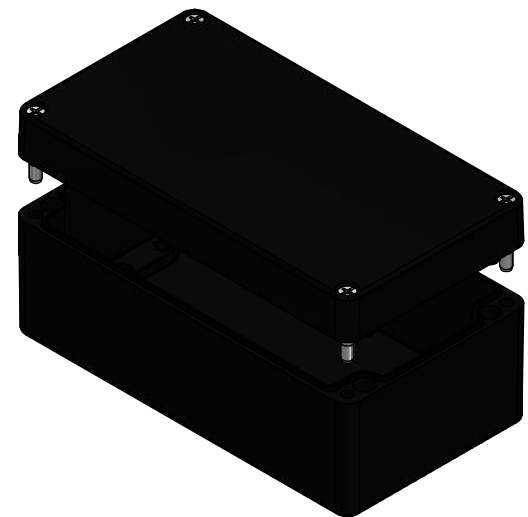
lid


base

Section A-A



*= Dimension reduced at bottom due to conical form
Tolerances to DIN 16901-130.



		RST Rabe-System-Technik und Vertriebs-GmbH Otto-Lilienthal-Strasse 19 49134 Wallenhorst ☎ +49 5407 8766-0 📠 +49 5407 8766-99 ✉ info@rst.eu			Unless otherwise specified on the drawing: Metric Thread = EN 60423 PG Thread = DIN 40430 NPT Thread = ANSI B1.20.1 Tolerance: DIN ISO 2768-m All dimensions in mm.		Abusively use, in particular reproduction and dissemination to third parties is not permitted. You can be punished by civil law. Technical changes are reserved.																					
		<table border="1"> <thead> <tr> <th></th> <th>Date</th> <th>Name</th> </tr> </thead> <tbody> <tr> <td>Draw.</td> <td>11.06.2018</td> <td>SL</td> </tr> <tr> <td>Appr.</td> <td>11.06.2018</td> <td>KH</td> </tr> <tr> <td>Norm</td> <td></td> <td></td> </tr> <tr> <td>Scale:</td> <td></td> <td>1:3</td> </tr> <tr> <td>Material:</td> <td colspan="2">Polyester</td> </tr> </tbody> </table>		Date	Name	Draw.	11.06.2018	SL	Appr.	11.06.2018	KH	Norm			Scale:		1:3	Material:	Polyester		Drawing-Nr.: see table		<table border="1"> <tr> <td>1</td> <td>of 1</td> </tr> <tr> <td colspan="2">A4</td> </tr> <tr> <td colspan="2">V7</td> </tr> </table>		1	of 1	A4	
	Date	Name																										
Draw.	11.06.2018	SL																										
Appr.	11.06.2018	KH																										
Norm																												
Scale:		1:3																										
Material:	Polyester																											
1	of 1																											
A4																												
V7																												
Status	Modification	Date	Name	Z:\Inventor\Gehäuse\Ex-Gehäuse-Polyester\17221209000\Ex-Polyester-Gehäuse-12-BG-0001-17_221209_000.idw																								

Please note that the above representation is just a dimension illustration.