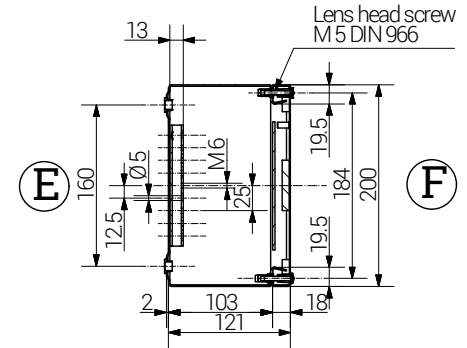
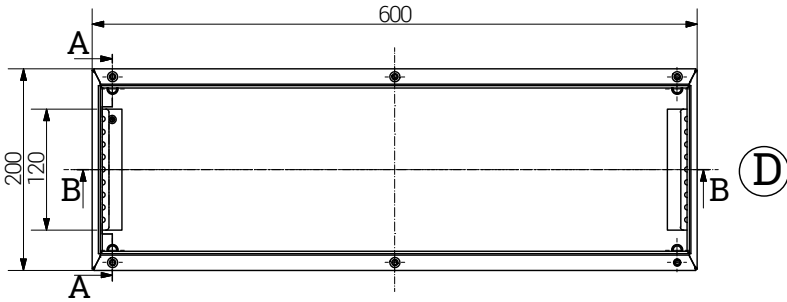
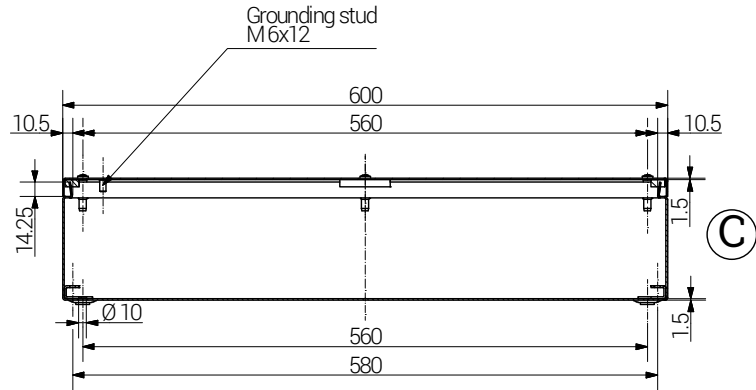


| Article       | Length | Width | Height | External Mounting Brackets | External Hinge |
|---------------|--------|-------|--------|----------------------------|----------------|
|               | (mm)   | (mm)  | (mm)   | Aluminium set              | pair           |
| 20 602012 000 | 600    | 200   | 121    | x                          | x              |

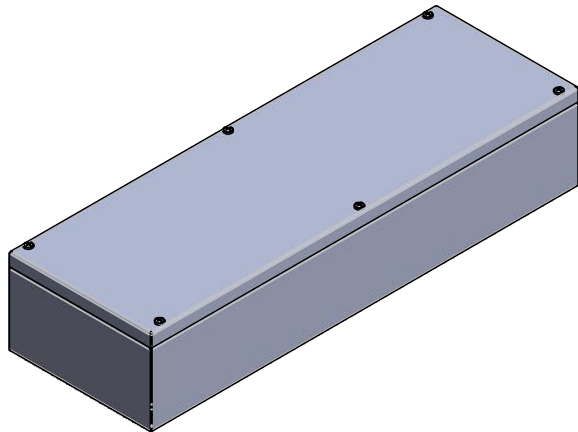
Section B-B


base  
A

Section A-A



B



|   |              |  |                 |  |  |  |  |    |      |
|---|--------------|--|-----------------|--|--|--|--|----|------|
|  |              | <b>RST Rabe-System-Technik und Vertriebs-GmbH</b><br>Otto-Lilienthal-Strasse 19<br>49134 Wallenhorst<br>☎ +49 5407 8766-0<br>📠 +49 5407 8766-99<br>✉ info@rst.eu |                 |  | Unless otherwise specified on the drawing:<br>Metric Thread = EN 60423<br>PG Thread = DIN 40430<br>NPT Thread = ANSI B1.20.1<br>Tolerance: DIN ISO 2768-m<br>All dimensions in mm. |  | Abusively use, in particular reproduction and dissemination to third parties is not permitted. You can be punished by civil law. Technical changes are reserved. |    |      |
|   |              | Draw.  | 30.05.2018      | SL   | <h1>Enclosure</h1> <h2>600 x 200 x 121 mm</h2>   |  |  |    |      |
| Appr.   | 30.05.2018   | KH   |                 |  |  |  |  |    |      |
| Norm  |              |  |                 |  |  |  |  |    |      |
| Scale:  |              | 1:7,5  |                 |  |  |  |  |    |      |
| Material:   |              |  | Stainless Steel |  | Drawing-Nr.:   |  | 20 602012 000  |    |      |
| Status  | Modification | Date   | Name            | Z:\Inventor\Gehäuse\Gehäuse-Edelstahl\20602012000\Edelstahl-Gehäuse-12-BG-0001-20602012000.idw |  |  |  | 1  | of 1 |
|   |              |  |                 |  |  |  |  | A4 | v9   |

Please note that the above representation is just a dimension illustration.