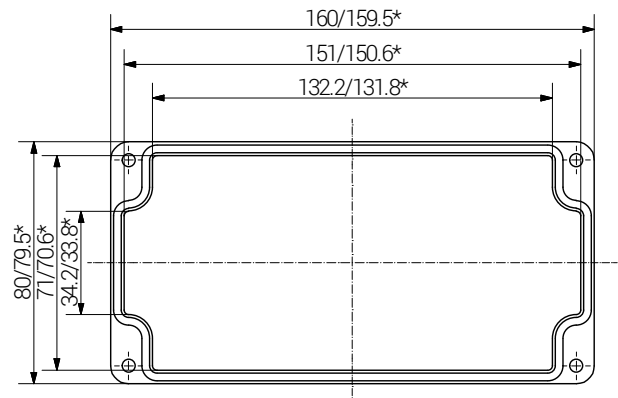
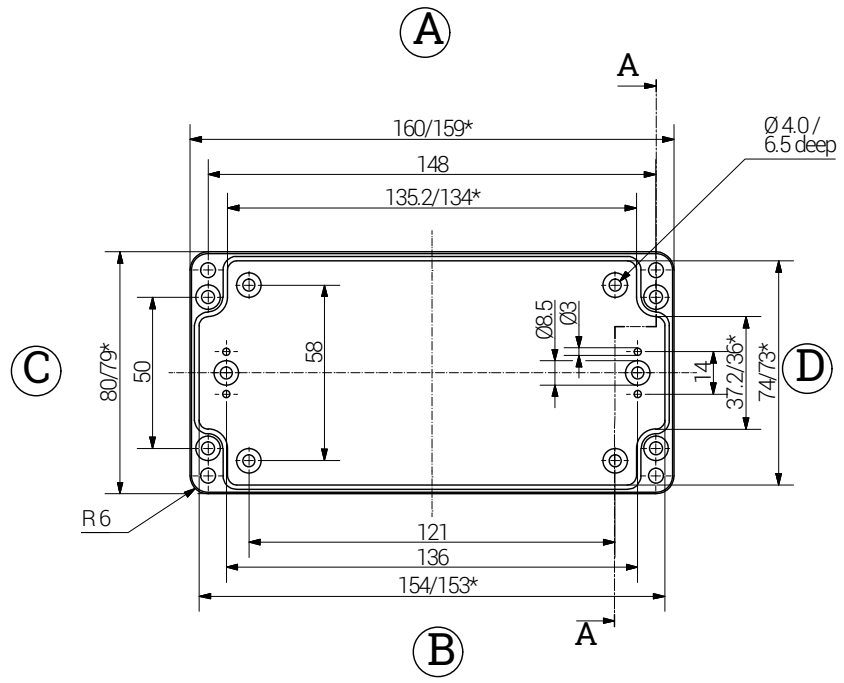


Article			Length (mm)	Width (mm)	Height (mm)	DIN Rail for Terminals		Mounting Plate Thickness in mm	External Mounting Brackets set	External Hinge Appr. 150°C PC pair
ABS	Polycarbonate	Polycarbonate with clear lid				TS 15	TS 35			
01 160809 010	02 160809 010	-	160	80	90	x	x	1.5	x	x

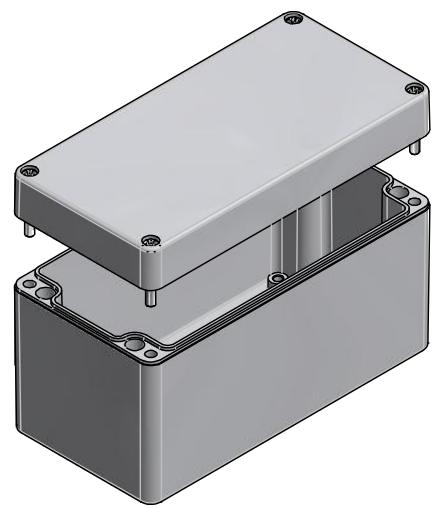
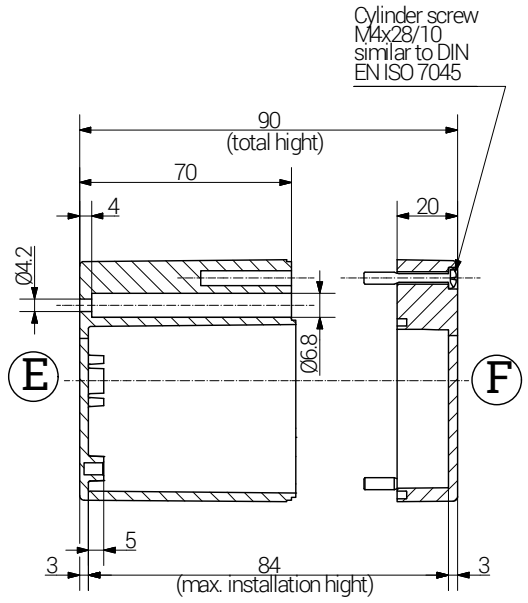
lid



base



Section A-A



*= Dimension reduced at bottom due to conical form.
Tolerances to DIN 16901-130.

		RST Rabe-System-Technik und Vertriebs-GmbH Otto-Lilienthal-Strasse 19 49134 Wallenhorst ☎ +49 5407 8766-0 ☎ +49 5407 8766-99 ✉ info@rst.eu			Unless otherwise specified on the drawing: Metric Thread = EN 60423 PG Thread = DIN 40430 NPT Thread = ANSI B1.20.1 Tolerance: DIN ISO 2768-m All dimensions in mm.		Abusively use, in particular reproduction and dissemination to third parties is not permitted. You can be punished by civil law. Technical changes are reserved.	
		Date Draw. 28.05.2018 Appr. 28.05.2018 Norm Scale: 1:2.5 Material: see table	Name SL KH	<h1>Enclosure</h1> <h2>160 x 80 x 90 mm</h2>		Drawing-Nr.: see table	1 of 1 A4 V9	
Status	Modification	Date	Name	Z:\Inventor\Gehäuse\Gehäuse-ABS\01160809010\ABS-Gehäuse-13-BG-0001-01_160809_010.idw				

Weight: 310 g

Please note that the above representation is just a dimension illustration.