

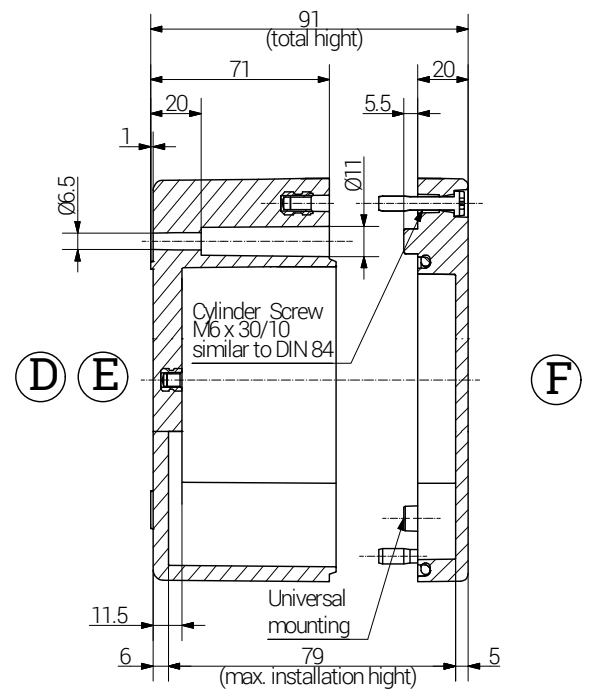
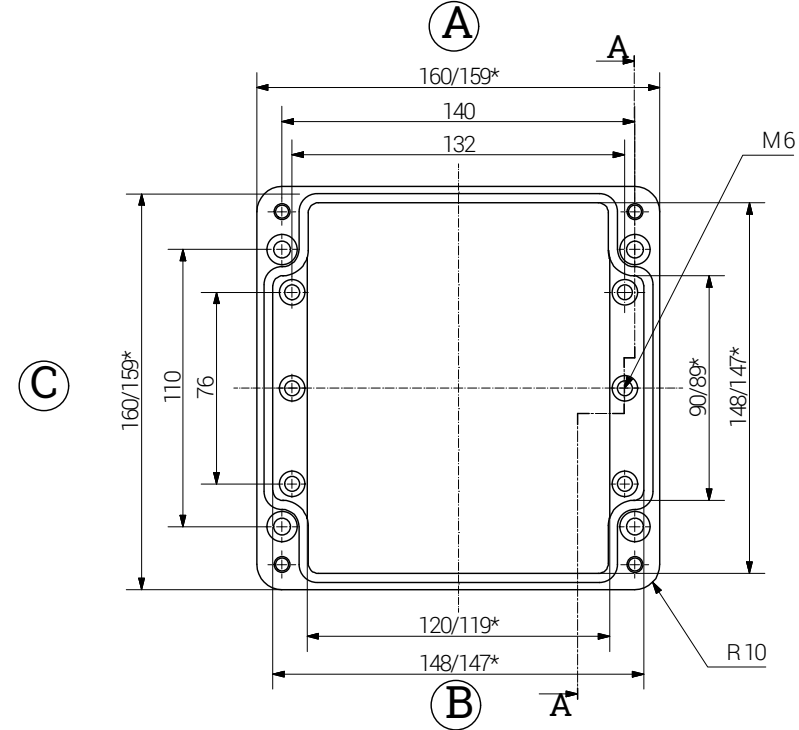
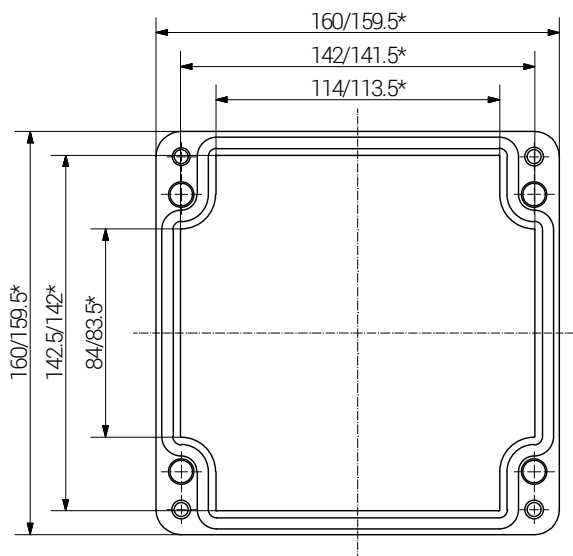
Article		Length (mm)	Width (mm)	Height (mm)	DIN Rail for Terminals		PE Busbar	PE Angele Brackets	Mounting Plate Thickness in mm	External Mounting Brackets in Aluminium set	External Hinge pair	Off-Shore Plate
Ex e	Ex ia				TS 15	TS 35						
17 161609 000	18 161609 000	160	160	90	X	X	X	-	1.5 ^{a)}	X	X	X

a) Sheet steel, zinc-plated
b) Pertinax (Hartpapier)

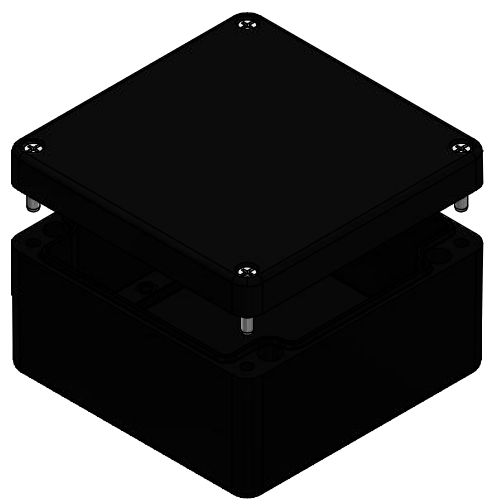
lid

base

Section A-A



*= Dimension reduced at bottom due to conical form
Tolerances to DIN 16901-130.



		RST Rabe-System-Technik und Vertriebs-GmbH Otto-Lilienthal-Strasse 19 49134 Wallenhorst ☎ +49 5407 8766-0 ☎ +49 5407 8766-99 ✉ info@rst.eu			Unless otherwise specified on the drawing: Metric Thread = EN 60423 PG Thread = DIN 40430 NPT Thread = ANSI B1.20.1 Tolerance: DIN ISO 2768-m All dimensions in mm.			Abusively use, in particular reproduction and dissemination to third parties is not permitted. You can be punished by civil law. Technical changes are reserved.		
		Draw.	11.06.2018	SL	<h2 style="text-align: center;">Ex-Enclosure 160 x 160 x 90 mm</h2>			Drawing-Nr.: <div style="text-align: center; font-size: 2em;">see table</div>	<div style="font-size: 3em; font-weight: bold;">1</div> of 1	
Appr.	11.06.2018	KH								
Norm										
Scale:		1:3								
Material:			Polyester							
Status	Modification	Date	Name	Z:\Inventor\Gehäuse\Ex-Gehäuse-Polyester\17161609000\Ex-Polyester-Gehäuse-13-BG-0001-17_161609_000.idw			<div style="font-size: 1.5em; font-weight: bold;">V6</div>			

Please note that the above representation is just a dimension illustration.