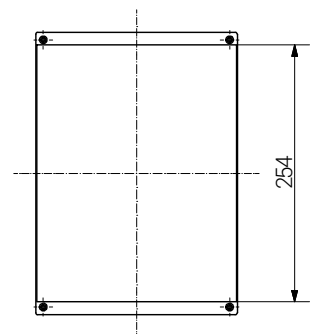
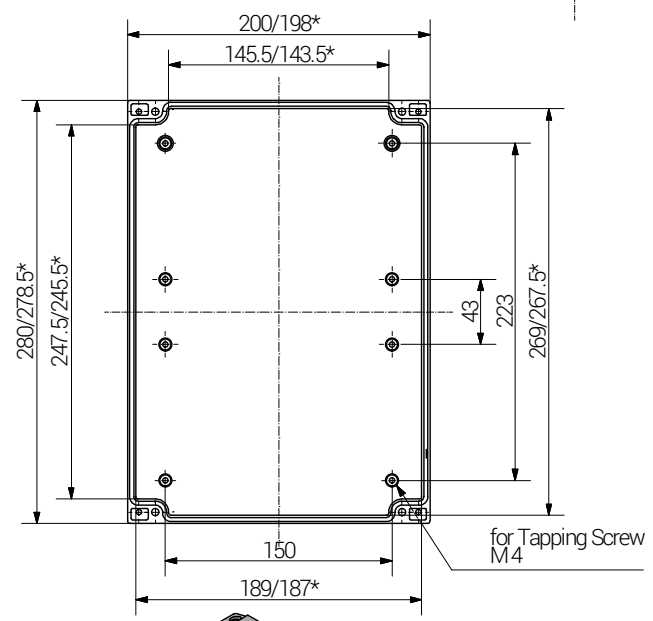


View F



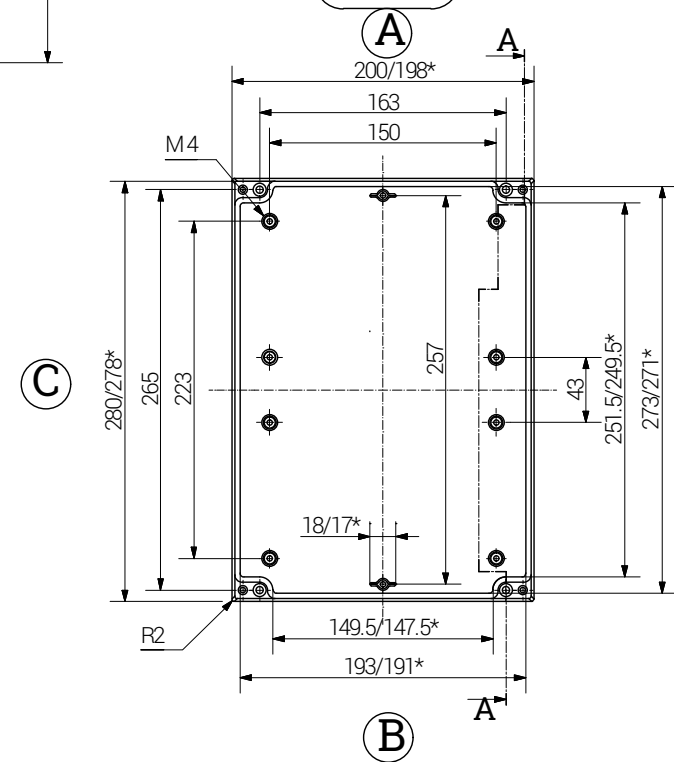
lid



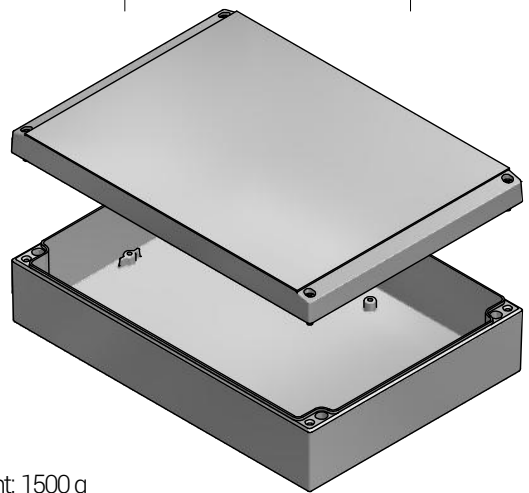
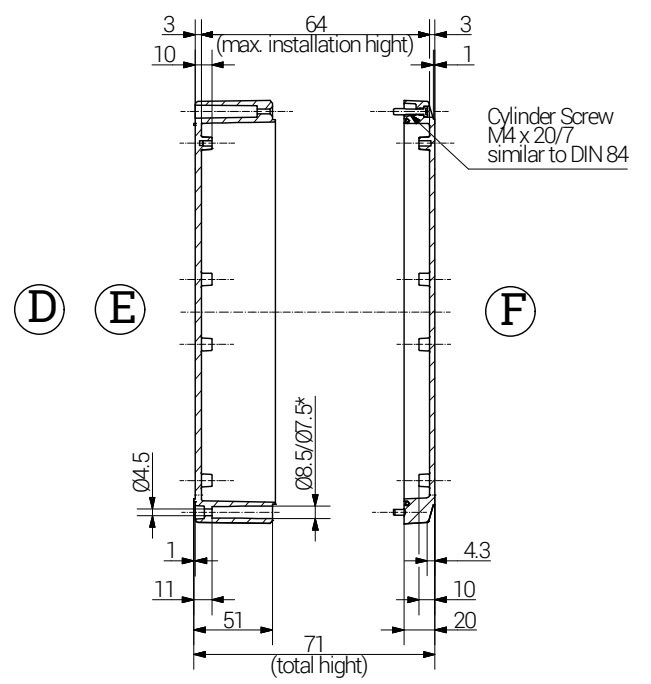
Article	Length (mm)	Width (mm)	Height (mm)	Mounting Rail		Mounting Plate	External bars pair	External Hinge in Aluminium pair
				TS 15	TS 35			
08 282007 000	280	200	70	X	X	X	X	X

*= Dimension reduced at bottom due to conical form
Tolerances to GTA 13/5 - DIN 1688.


base



Section A-A



Weight: 1500 g

		RST Rabe-System-Technik und Vertriebs-GmbH Otto-Lilienthal-Strasse 19 49134 Wallenhorst ☎ +49 5407 8766-0 ☎ +49 5407 8766-99 ✉ info@rst.eu			Unless otherwise specified on the drawing: Metric Thread = EN 60423 PG Thread = DIN 40430 NPT Thread = ANSI B1.20.1 Tolerance: DIN ISO 2768-m All dimensions in mm.		Abusively use, in particular reproduction and dissemination to third parties is not permitted. You can be punished by civil law. Technical changes are reserved.									
		<table border="1"> <thead> <tr> <th>Date</th> <th>Name</th> </tr> </thead> <tbody> <tr> <td>Draw. 08.06.2018</td> <td>SL</td> </tr> <tr> <td>Appr. 08.06.2018</td> <td>KH</td> </tr> <tr> <td>Norm</td> <td></td> </tr> <tr> <td>Scale:</td> <td>1:5</td> </tr> <tr> <td>Material:</td> <td>Aluminium</td> </tr> </tbody> </table>	Date	Name	Draw. 08.06.2018	SL	Appr. 08.06.2018	KH	Norm		Scale:	1:5	Material:	Aluminium	Drawing-Nr.: 08 282007 000	
Date	Name															
Draw. 08.06.2018	SL															
Appr. 08.06.2018	KH															
Norm																
Scale:	1:5															
Material:	Aluminium															
Status	Modification	Date	Name	Z:\Inventor\Gehäuse\Elektronikgehäuse-Aluminium\08282007000\Elektronikgehäuse-Alu-14-BG-0001-08_282007_000.idw												

Please note that the above representation is just a dimension illustration.