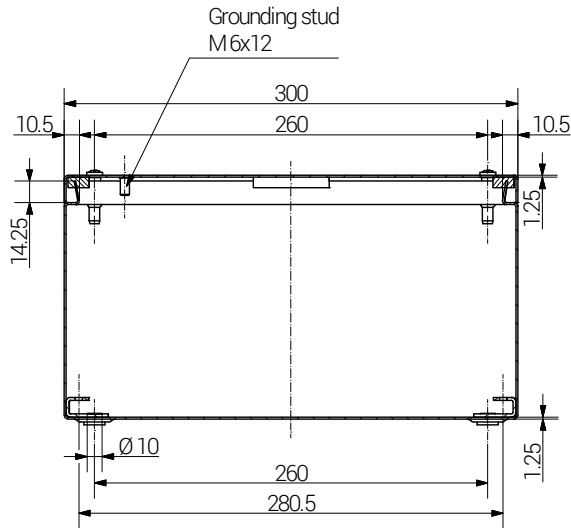
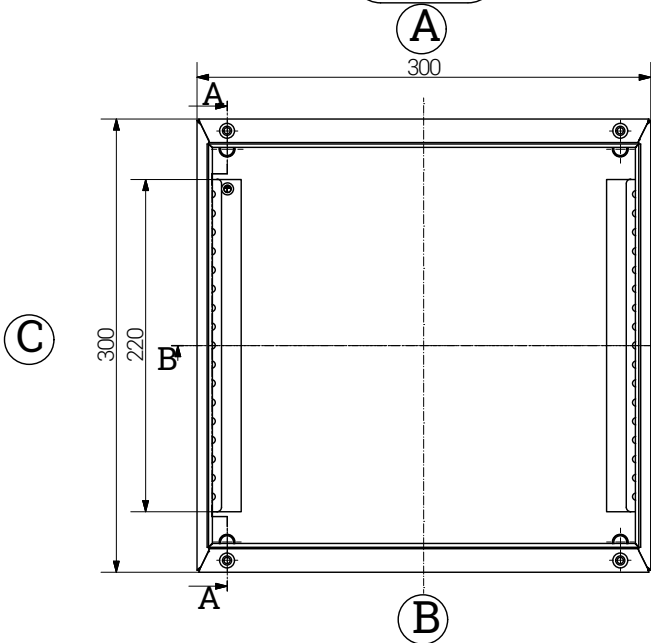


Article	Length	Width	Height	External Mounting Brackets	External Hinge
	(mm)	(mm)	(mm)	Aluminium set	pair
20 303016 000	300	300	161	x	x

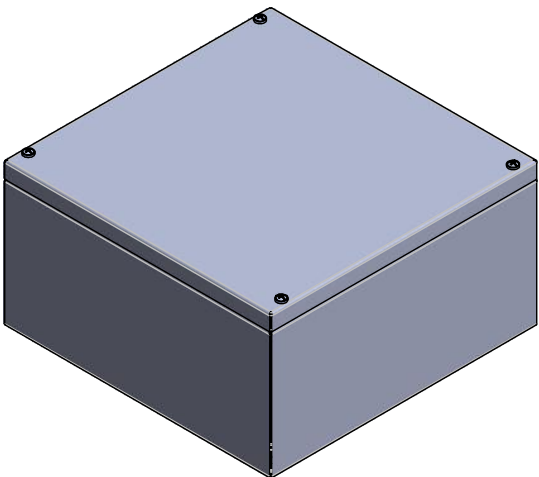
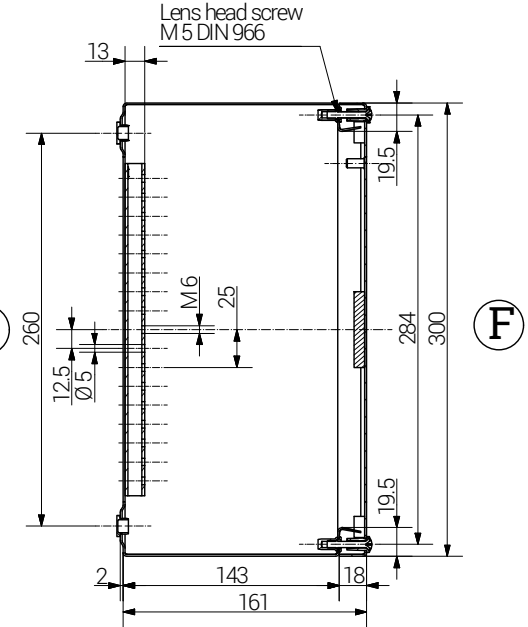
Section B-B




base



Section A-A



		RST Rabe-System-Technik und Vertriebs-GmbH Otto-Lilienthal-Strasse 19 49134 Wallenhorst ☎ +49 5407 8766-0 ☎ +49 5407 8766-99 ✉ info@rst.eu		Unless otherwise specified on the drawing: Metric Thread = EN 60423 PG Thread = DIN 40430 NPT Thread = ANSI B1.20.1 Tolerance: DIN ISO 2768-m All dimensions in mm.		Abusively use, in particular reproduction and dissemination to third parties is not permitted. You can be punished by civil law. Technical changes are reserved.	
		Date Draw. 30.05.2018 Appr. 30.05.2018 Norm Scale: 1:5 Material: Stainless Steel	Name SL KH	<h1>Enclosure</h1> <h2>300 x 300 x 161 mm</h2>		Drawing-Nr.: 20 303016 000	1 of 1 A4 V6
Status	Modification	Date	Name	Z:\Inventor\Gehäuse\Gehäuse-Edelstahl\20303016000\Edelstahl-Gehäuse-14-BG-0001-20303016000.idw			

Please note that the above representation is just a dimension illustration.