

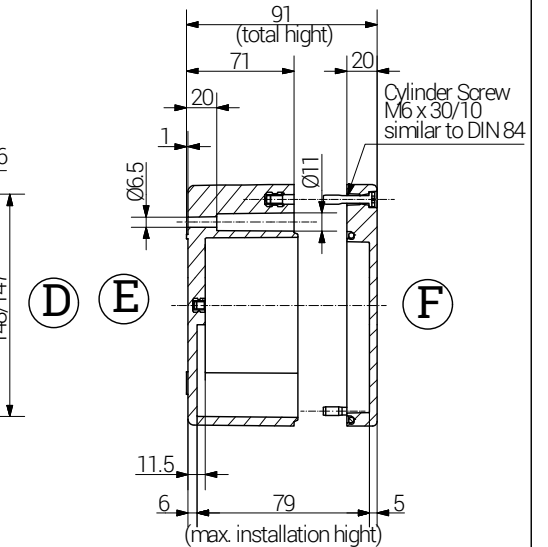
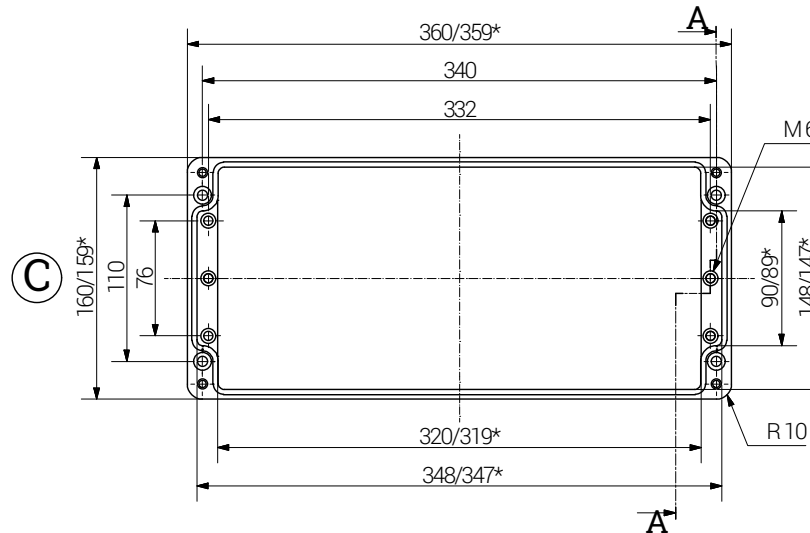
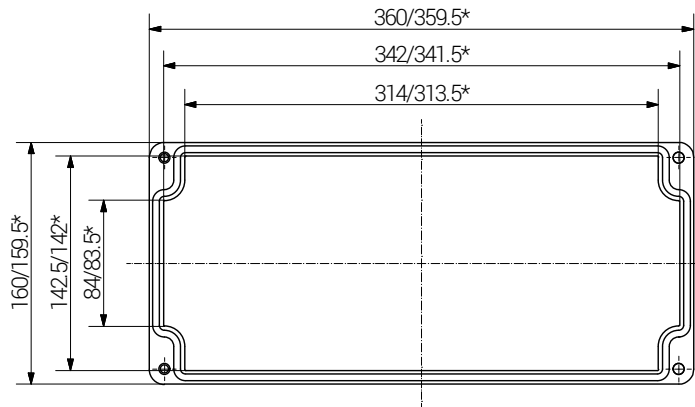
| Article       |               | Length<br>(mm) | Width<br>(mm) | Height<br>(mm) | DIN Rail<br>for<br>Terminals |       | PE<br>Busbar | PE<br>Angele<br>Brackets | Mounting<br>Plate<br>Thickness<br>in mm | External<br>Mounting<br>Brackets in<br>Aluminium<br>set | External<br>Hinge<br>pair | Off-Shore<br>Plate |
|---------------|---------------|----------------|---------------|----------------|------------------------------|-------|--------------|--------------------------|---|---|---------------------------|--------------------|
| Ex e          | Ex ia         |                |               |                | TS 15                        | TS 35 |              |                          |   |   |                           |                    |
| 17 361609 000 | 18 361609 000 | 360            | 160           | 90             | X                            | X     | X            | -                        | 2.0 <sup>a)</sup>                       | X   | X                         | X                  |

a) Sheet steel, zinc-plated  
b) Pertinax (Hartpapier)

lid

base


Section A-A



B

\*= Dimension reduced at bottom due to conical form  
Tolerances to DIN 16901-130.



|   |              |  |            |  |  |  |  |  |   |  |
|---|--------------|--|------------|--|--|--|--|--|---|--|
|  |              | <b>RST Rabe-System-Technik und Vertriebs-GmbH</b><br>Otto-Lilienthal-Strasse 19<br>49134 Wallenhorst<br>☎ +49 5407 8766-0<br>📠 +49 5407 8766-99<br>✉ info@rst.eu |            |  | Unless otherwise specified on the drawing:<br>Metric Thread = EN 60423<br>PG Thread = DIN 40430<br>NPT Thread = ANSI B1.20.1<br>Tolerance: DIN ISO 2768-m<br>All dimensions in mm. |  |  | Abusively use, in particular reproduction and dissemination to third parties is not permitted. You can be punished by civil law. Technical changes are reserved. |   |  |
|   |              | Draw.  | 11.06.2018 | SL   | <h2 style="text-align: center;">Ex-Enclosure</h2> <h3 style="text-align: center;">360 x 160 x 90 mm</h3>   |  |  | Drawing-Nr.:<br><div style="text-align: center; font-size: 2em;">see table</div>   | <div style="font-size: 3em; font-weight: bold;">1</div> of<br>1 |  |
| Appr.   | 11.06.2018   | KH   |            |  |  |  |  |  |   |  |
| Norm  |              |  |            |  |  |  |  |  |   |  |
| Scale:  |              | 1:5  |            |  |  |  |  |  |   |  |
| Material:   |              |  | Polyester  |  |  |  |  |  |   |  |
| Status  | Modification | Date   | Name       | Z:\Inventor\Gehäuse\Ex-Gehäuse-Polyester\17361609000\Ex-Polyester-Gehäuse-15-BG-0001-17_361609_000.idw |  |  |  |  |   |  |

Please note that the above representation is just a dimension illustration.