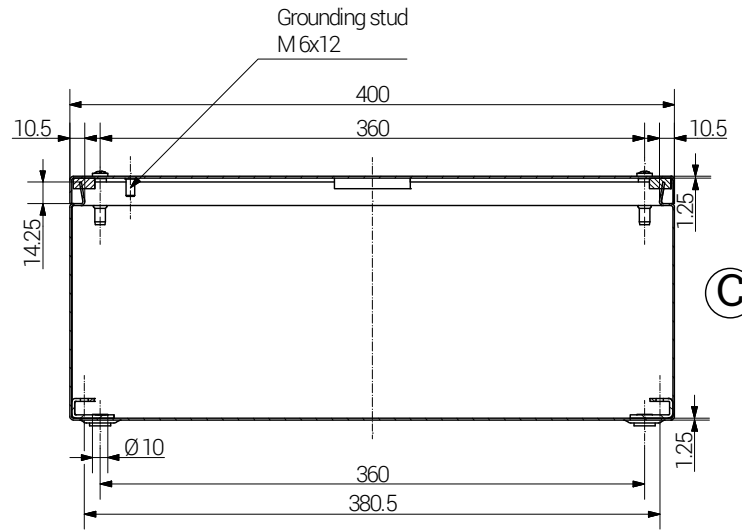
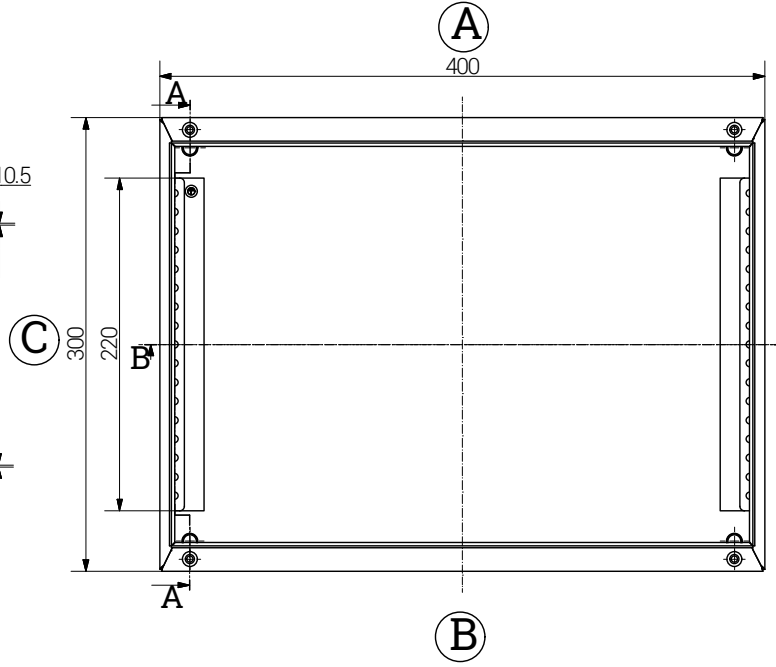


| Article | Length | Width | Height | External Mounting Brackets | External Hinge |
|---------------|--------|-------|--------|----------------------------|----------------|
| | (mm) | (mm) | (mm) | Aluminium set | pair |
| 20 403016 000 | 400 | 300 | 161 | x | x |

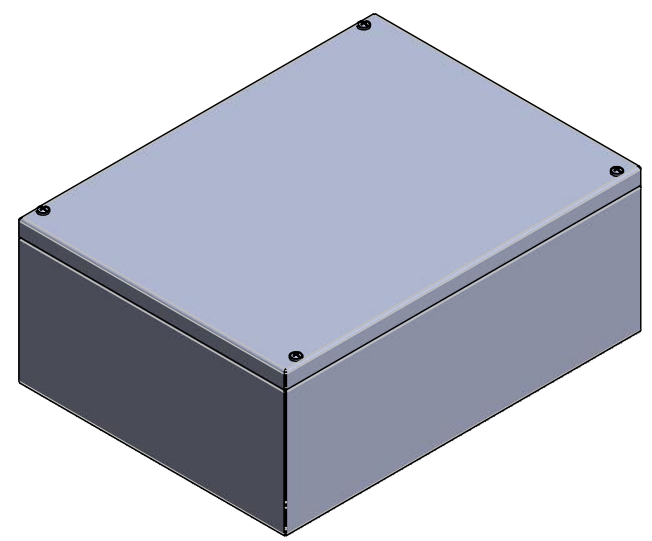
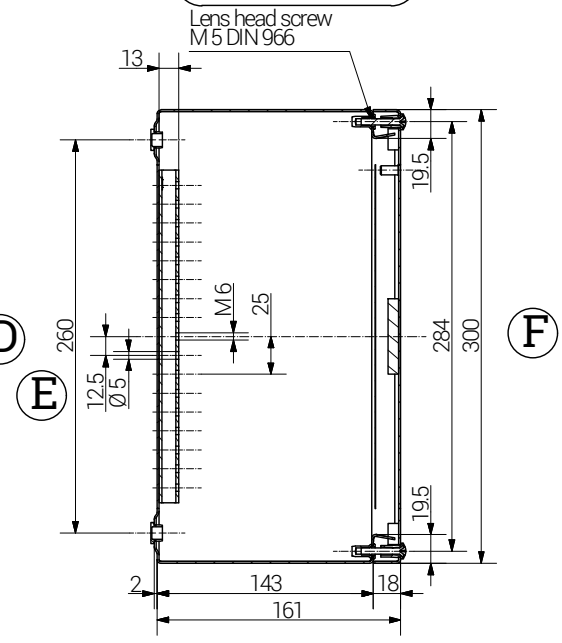
Section B-B




base



Section A-A



|  | RST Rabe-System-Technik und Vertriebs-GmbH Otto-Lilienthal-Strasse 19 49134 Wallenhorst ☎ +49 5407 8766-0 ☎ +49 5407 8766-99 ✉ info@rst.eu | | | Unless otherwise specified on the drawing: Metric Thread = EN 60423 PG Thread = DIN 40430 NPT Thread = ANSI B1.20.1 Tolerance: DIN ISO 2768-m All dimensions in mm. | | Abusively use, in particular reproduction and dissemination to third parties is not permitted. You can be punished by civil law. Technical changes are reserved. | | | | | | | | | | | | | | | | | |
|---|--|------|------|--|-------|--|----|-------|------------|----|------|--|--|--------|--|-----|-----------|-----------------|--|--|--|--|--|
| | <table border="1"> <thead> <tr> <th></th> <th>Date</th> <th>Name</th> </tr> </thead> <tbody> <tr> <td>Draw.</td> <td>30.05.2018</td> <td>SL</td> </tr> <tr> <td>Appr.</td> <td>30.05.2018</td> <td>KH</td> </tr> <tr> <td>Norm</td> <td></td> <td></td> </tr> <tr> <td>Scale:</td> <td></td> <td>1:5</td> </tr> <tr> <td>Material:</td> <td colspan="2">Stainless Steel</td> </tr> </tbody> </table> | | Date | Name | Draw. | 30.05.2018 | SL | Appr. | 30.05.2018 | KH | Norm | | | Scale: | | 1:5 | Material: | Stainless Steel | | <h1>Enclosure</h1> <h2>400 x 300 x 161 mm</h2> | | Drawing-Nr.: <h1>20 403016 000</h1> | |
| | Date | Name | | | | | | | | | | | | | | | | | | | | | |
| Draw. | 30.05.2018 | SL | | | | | | | | | | | | | | | | | | | | | |
| Appr. | 30.05.2018 | KH | | | | | | | | | | | | | | | | | | | | | |
| Norm | | | | | | | | | | | | | | | | | | | | | | | |
| Scale: | | 1:5 | | | | | | | | | | | | | | | | | | | | | |
| Material: | Stainless Steel | | | | | | | | | | | | | | | | | | | | | | |
| Status | Modification | Date | Name | Z:\Inventor\Gehäuse\Gehäuse-Edelstahl\20403016000\Edelstahl-Gehäuse-15-BG-0001-20403016000.idw | | | | | | | | | | | | | | | | | | | |

Please note that the above representation is just a dimension illustration.