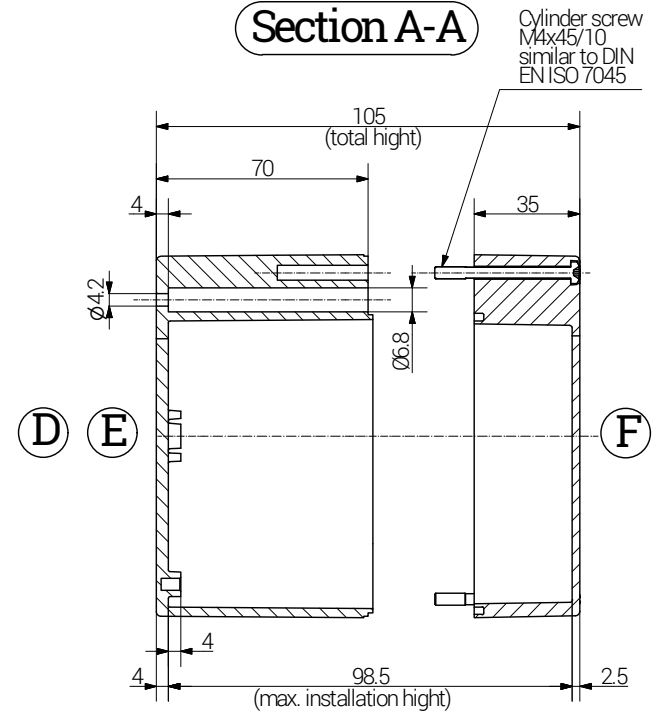
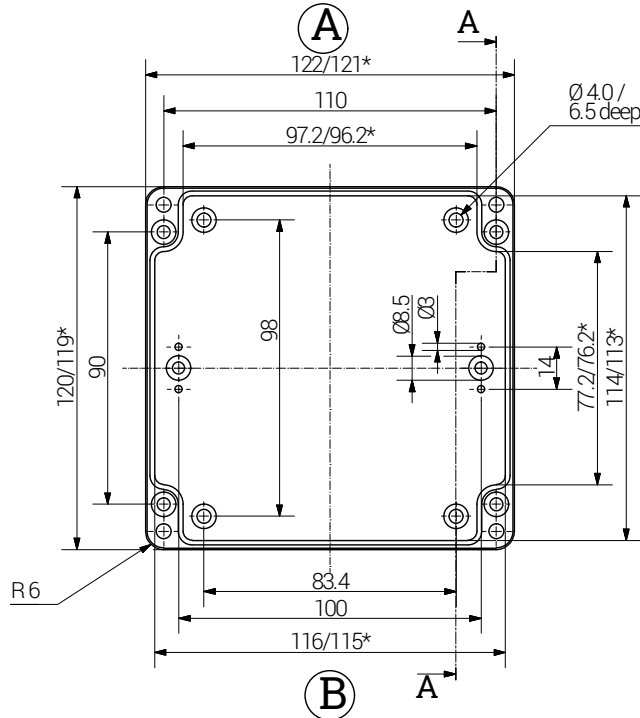
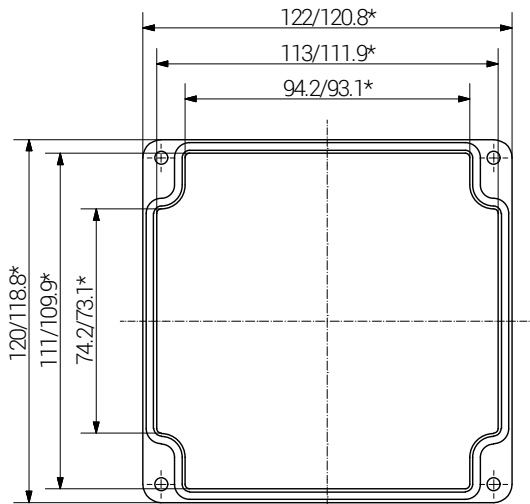


Article			Length (mm)	Width (mm)	Height (mm)	DIN Rail for Terminals		Mounting Plate Thickness in mm	External Mounting Brackets set	External Hinge Appr. 150°C PC pair
ABS	Polycarbonate	Polycarbonate with clear lid				TS 15	TS 35			
01 121211 000	02 121211 000	02 121211 045	122	120	105	x	x	2.0	x	x

lid

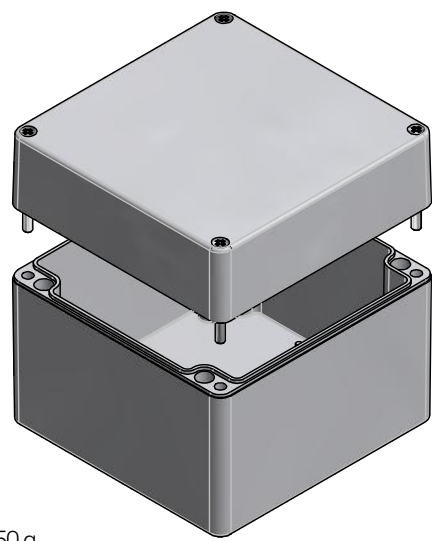
base

Section A-A




Cylinder screw  
M4x45/10  
similar to DIN  
EN ISO 7045

\*= Dimension reduced at bottom due to conical form.  
Tolerances to DIN 16901-130.



Weight: 350 g

		<b>RST Rabe-System-Technik und Vertriebs-GmbH</b> Otto-Lilienthal-Strasse 19 49134 Wallenhorst ☎ +49 5407 8766-0 ☎ +49 5407 8766-99 ✉ info@rst.eu			Unless otherwise specified on the drawing: Metric Thread = EN 60423 PG Thread = DIN 40430 NPT Thread = ANSI B1.20.1 Tolerance: DIN ISO 2768-m All dimensions in mm.		Abusively use, in particular reproduction and dissemination to third parties is not permitted. You can be punished by civil law. Technical changes are reserved.	
		Date Draw. 28.05.2018 Appr. 28.05.2018 Norm Scale: 1:2.5 Material: see table	Name SL KH	<h1 style="text-align: center;">Enclosure</h1> <h2 style="text-align: center;">122 x 120 x 105 mm</h2>		Drawing-Nr.: see table		<div style="text-align: center; font-size: 2em;">1</div> of 1 A4 V70
Status	Modification	Date	Name			Z:\Inventor\Gehäuse\Gehäuse-ABS\01121211000\ABS-Gehäuse-16-BG-0001-01_121211_000.idw		

Please note that the above representation is just a dimension illustration.