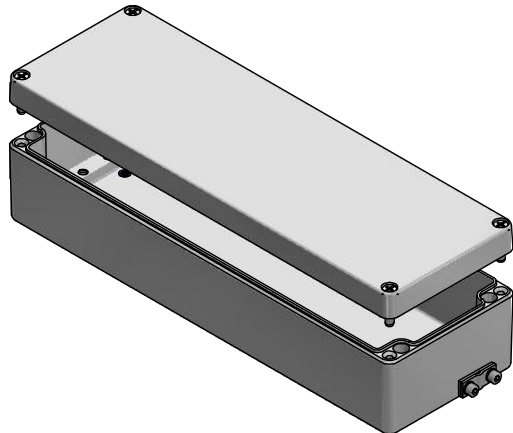
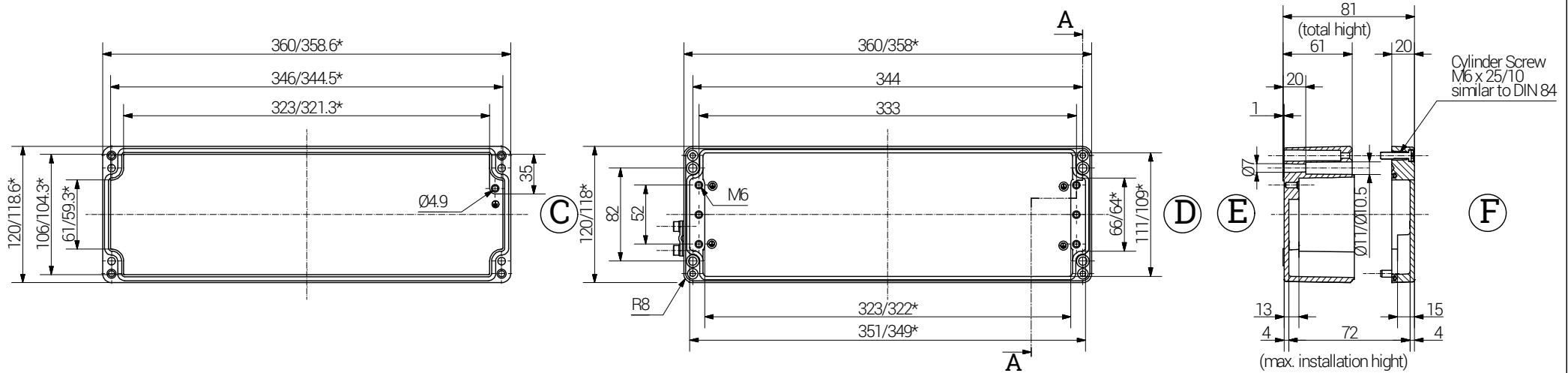


Article		Length (mm)	Width (mm)	Height (mm)	DIN Rail for terminals		PE busbar	PE angele brackets	Mounting Plate galv. Sheet steel Thickness in mm	External Mounting Brackets	External Hinge	Internal Hinges
Ex e	Ex ia				Aluminium set	pair				pair		
15 361208 000	16 361208 000	360	120	80	TS 15	TS 35	-	2	1.5	x	x	-

lid


base

Section A-A



B

\*= Dimension reduced at bottom due to conical form.  
Tolerances to GTA 13/5 - DIN 1688.

		<b>RST Rabe-System-Technik und Vertriebs-GmbH</b> Otto-Lilienthal-Strasse 19 49134 Wallenhorst ☎ +49 5407 8766-0 📠 +49 5407 8766-99 ✉ info@rst.eu			Unless otherwise specified on the drawing: Metric Thread = EN 60423 PG Thread = DIN 40430 NPT Thread = ANSI B1.20.1 Tolerance: DIN ISO 2768-m All dimensions in mm.			Abusively use, in particular reproduction and dissemination to third parties is not permitted. You can be punished by civil law. Technical changes are reserved.			
		Draw.	12.06.2018	SL	Date	Name		<h1>Enclosure</h1> <h2>360 x 120 x 80 mm</h2>			
Appr.	12.06.2018	KH	Scale:	1:5							
Norm			Material:	Aluminium		Drawing-Nr.:	see table				
Status	Modification	Date	Name	Z:\Inventor\Gehäuse\Ex-Gehäuse\Aluminium\15361208000\Alu-Ex-Gehäuse-16-BG-0001-15_361208_000.idw			1				of 1
							A4	V5			

Please note that the above representation is just a dimension illustration.