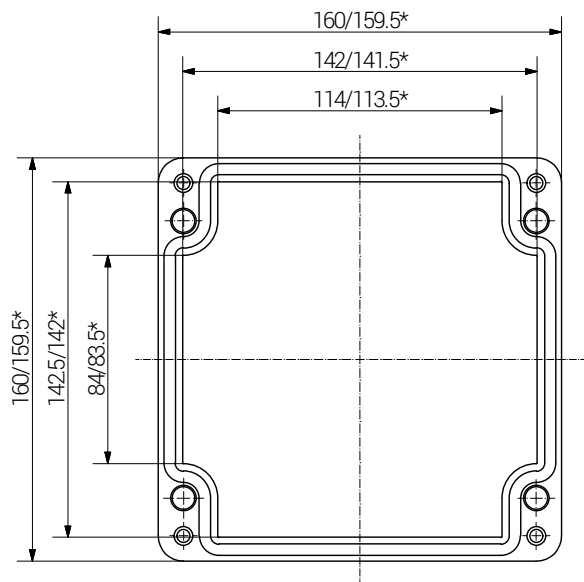


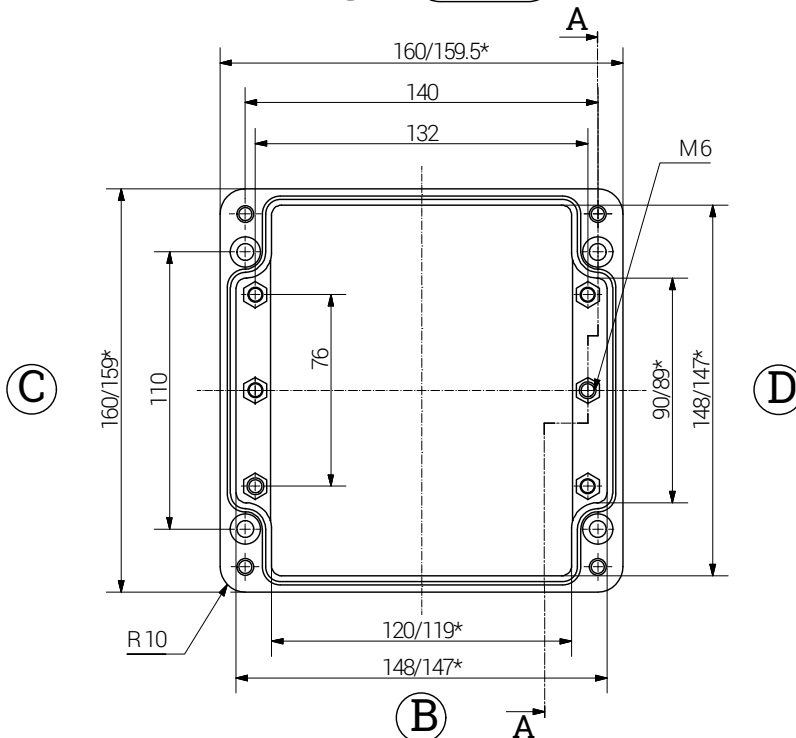
Article	Length (mm)	Width (mm)	Height (mm)	DIN Rail for Terminals		Mounting Plate Thickness in mm	External Mounting Brackets in Stainless Steel set	External Hinge in Aluminium pair
				TS 15	TS 35			
07 161609 010	160	160	90	x	x	1.5 ^{a)}	x	x

a) Sheet steel, zinc-plated

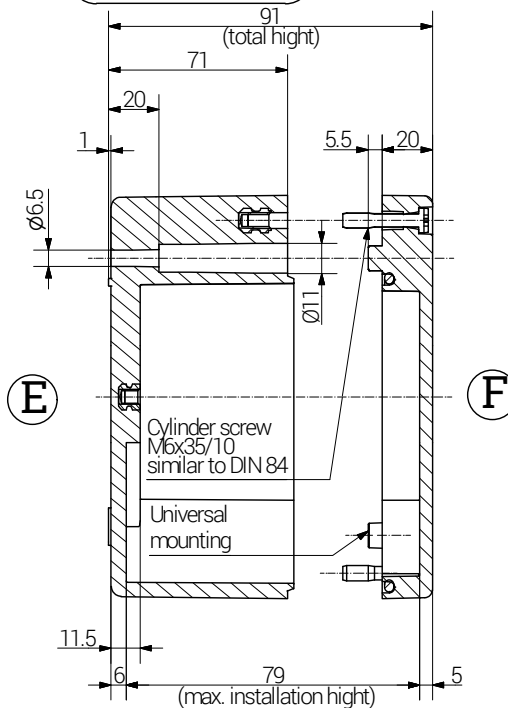
lid



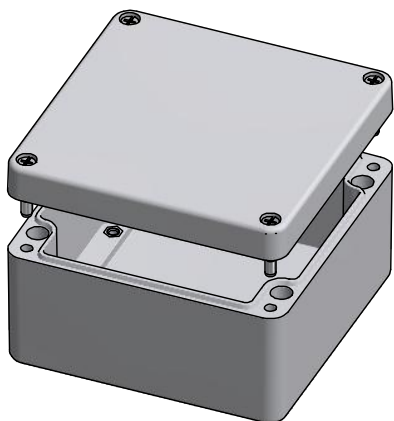
A base



Section A-A



*= Dimension reduced at bottom due to conical form
Tolerances to DIN 16901-130.



RST Rabe-System-Technik und Vertriebs-GmbH
 Otto-Lilienthal-Strasse 19
 49134 Wallenhorst
 ☎ +49 5407 8766-0
 ☎ +49 5407 8766-99
 ✉ info@rst.eu

Unless otherwise specified on the drawing:
 Metric Thread = EN 60423
 PG Thread = DIN 40430
 NPT Thread = ANSI B1.20.1
 Tolerance: DIN ISO 2768-m
 All dimensions in mm.

Abusively use, in particular reproduction
 and dissemination to third parties is not
 permitted. You can be punished by civil
 law. Technical changes are reserved.

Date	Name
Draw. 29.05.2018	SL
Appr. 29.05.2018	KH
Norm	
Scale:	1:3
Material:	Polyester
Status	Modification
Date	Name

Enclosure 160 x 160 x 90 mm	
Drawing-Nr.:	07 161609 010
1	of 1
A4	V30

Weight: 1290 g

Please note that the above representation is just a dimension illustration.

Z:\Inventor\Gehäuse\Gehäuse-Polyester\07_161609_010\Polyester-Gehäuse-16-BG-0001-07_161609_010.idw