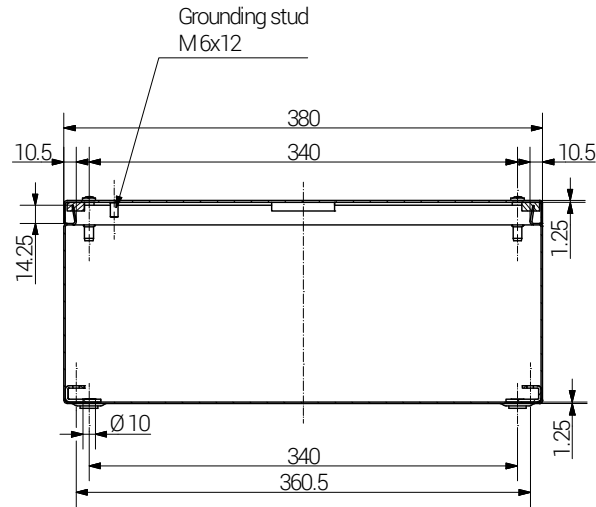
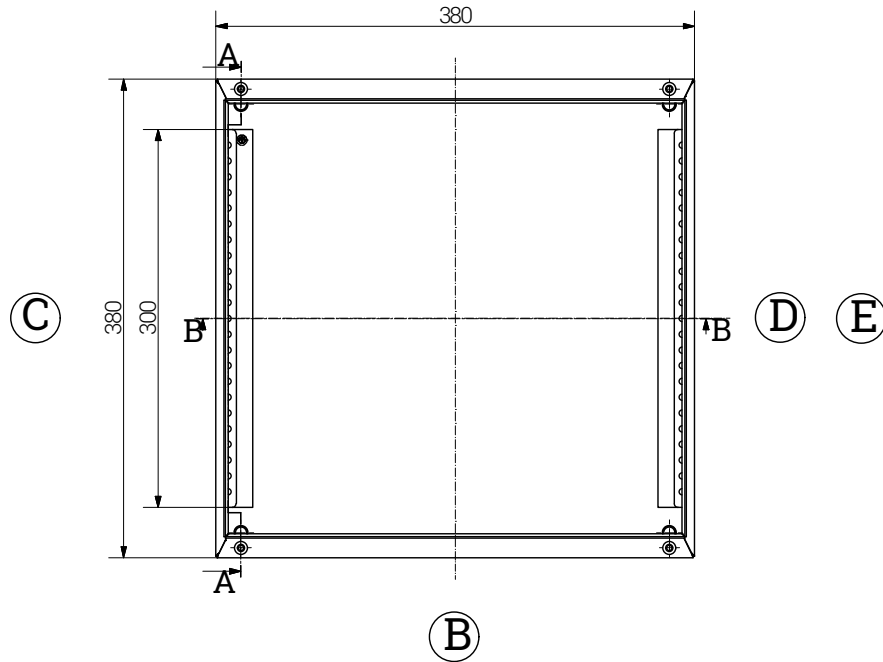


Article	Length	Width	Height	External Mounting Brackets	External Hinge
	(mm)	(mm)	(mm)	Aluminium set	pair
20 383816 000	380	380	161	x	x

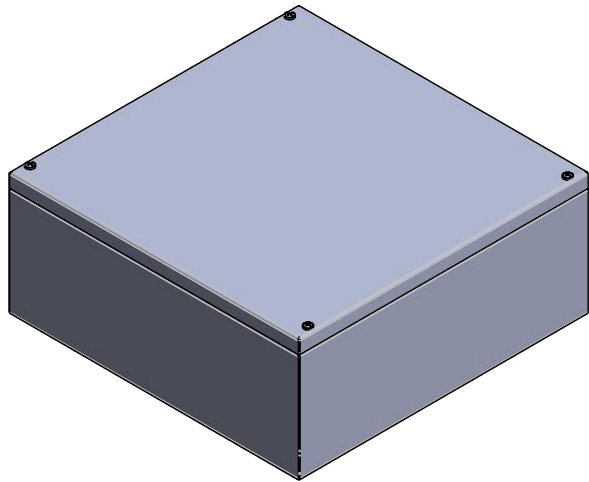
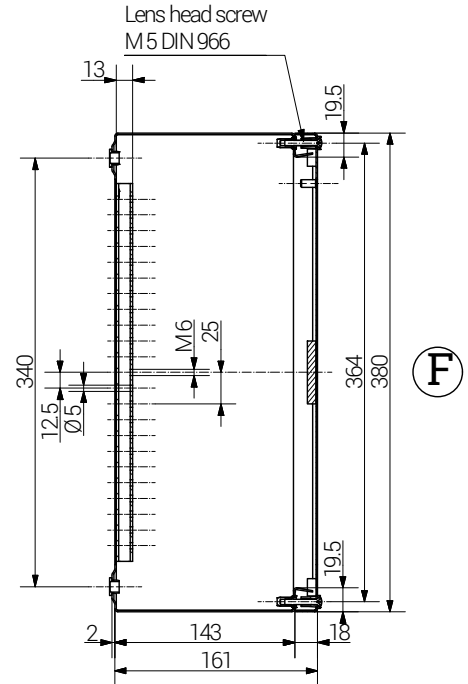
**Section B-B**




**base**  
**A**



**Section A-A**



 <p><b>RST</b> connected by competence</p>	<p><b>RST Rabe-System-Technik und Vertriebs-GmbH</b> Otto-Lilienthal-Strasse 19 49134 Wallenhorst ☎ +49 5407 8766-0 ✉ +49 5407 8766-99 ✉ info@rst.eu</p>			<p>Unless otherwise specified on the drawing: Metric Thread = EN 60423 PG Thread = DIN 40430 NPT Thread = ANSI B1.20.1 Tolerance: DIN ISO 2768-m All dimensions in mm.</p>		<p>Abusively use, in particular reproduction and dissemination to third parties is not permitted. You can be punished by civil law. Technical changes are reserved.</p>	
				Date	Name	<h1>Enclosure</h1> <h2>380 x 380 x 161 mm</h2>	
			Draw.	30.05.2018	SL		
			Appr.	30.05.2018	KH		
			Norm				
			Scale:		1:6		
			Material:	Stainless Steel		Drawing-Nr.:	20 383816 000
Status	Modification	Date	Name	Z:\Inventor\Gehäuse\Gehäuse-Edelstahl\20383816000\Edelstahl-Gehäuse-17-BG-0001-20383816000.idw			1 of 1
							A4
							V6

Please note that the above representation is just a dimension illustration.