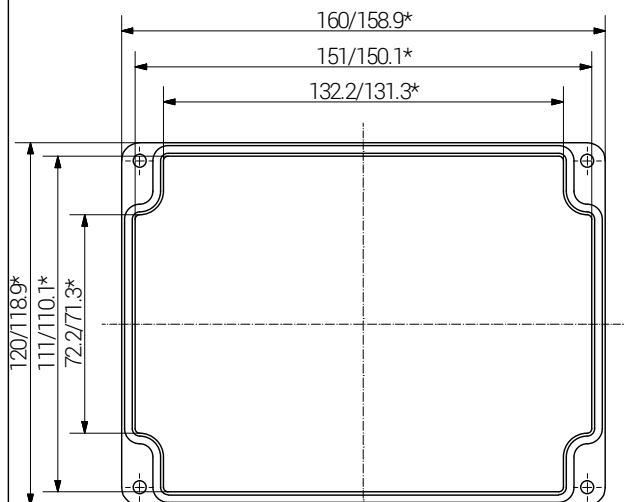
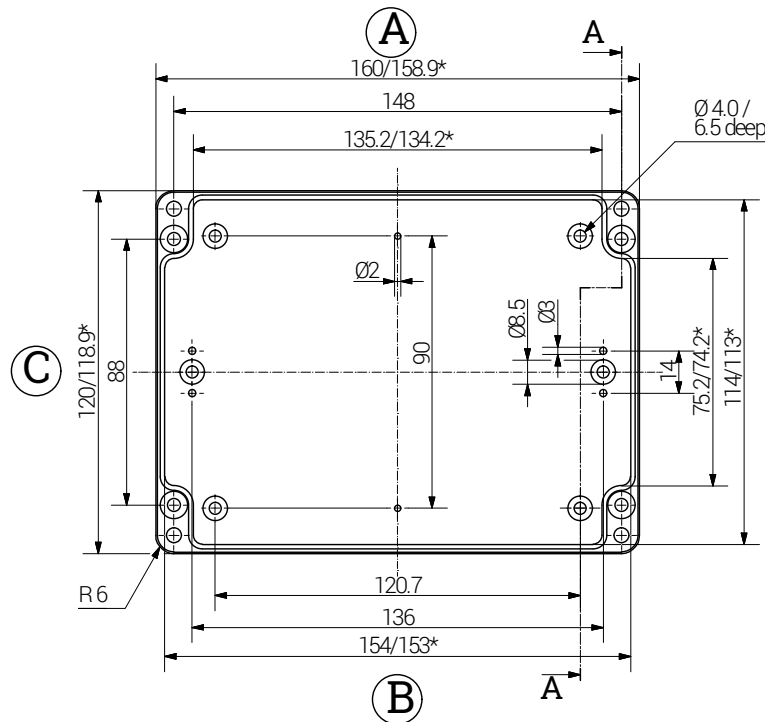


Article			Length (mm)	Width (mm)	Height (mm)	DIN Rail for Terminals		Mounting Plate Thickness in mm	External Mounting Brackets set	External Hinge Appr. 150°C PC pair
ABS	Polycarbonate	Polycarbonate with clear lid				TS 15	TS 35			
01 161209 010	02 161209 010	02 161209 045	160	120	90	x	x	2.0	x	x

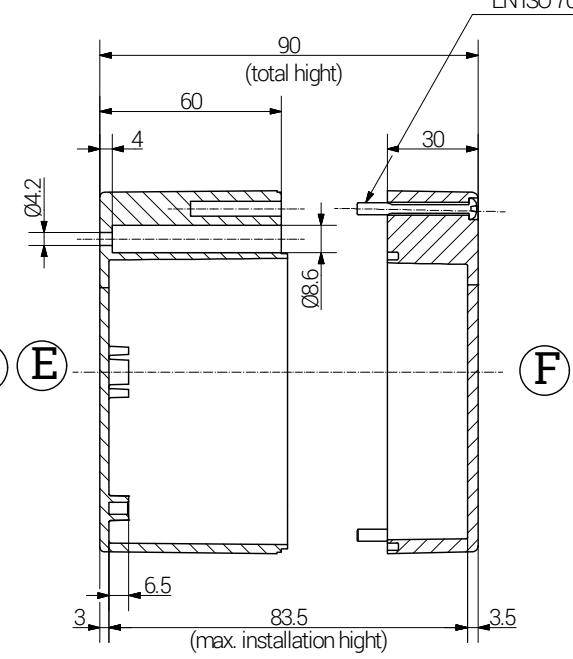
lid



base

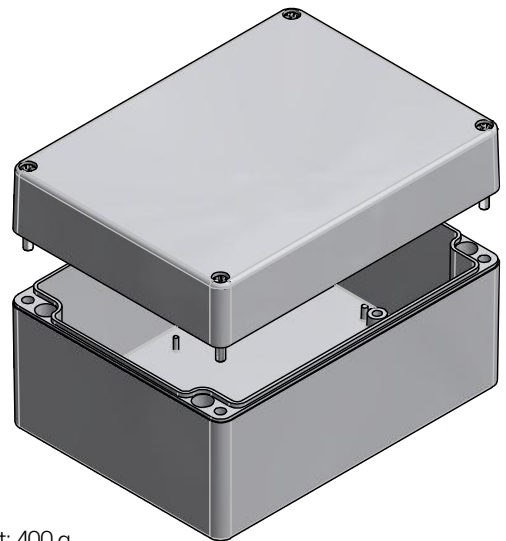


Section A-A




Cylinder screw
M4x37/10
similar to DIN
EN ISO 7045

*= Dimension reduced at bottom due to conical form.
Tolerances to DIN 16901-130.



Weight: 400 g

		RST Rabe-System-Technik und Vertriebs-GmbH Otto-Lilienthal-Strasse 19 49134 Wallenhorst ☎ +49 5407 8766-0 ☎ +49 5407 8766-99 ✉ info@rst.eu			Unless otherwise specified on the drawing: Metric Thread = EN 60423 PG Thread = DIN 40430 NPT Thread = ANSI B1.20.1 Tolerance: DIN ISO 2768-m All dimensions in mm.			Abusively use, in particular reproduction and dissemination to third parties is not permitted. You can be punished by civil law. Technical changes are reserved.		
		Date		Name		<h1>Enclosure</h1> <h2>160 x 120 x 90 mm</h2>				
Draw.		28.05.2018		SL						
Appr.		28.05.2018		KH						
Norm										
Scale:				1:2.5						
Material:		see table		Drawing-Nr.:		see table		1 of 1		
Status	Modification	Date	Name	Z:\Inventor\Gehäuse\Gehäuse-ABS\01161209010\ABS-Gehäuse-18-BG-0001-01_161209_010.idw				A4		
								V9		

Please note that the above representation is just a dimension illustration.