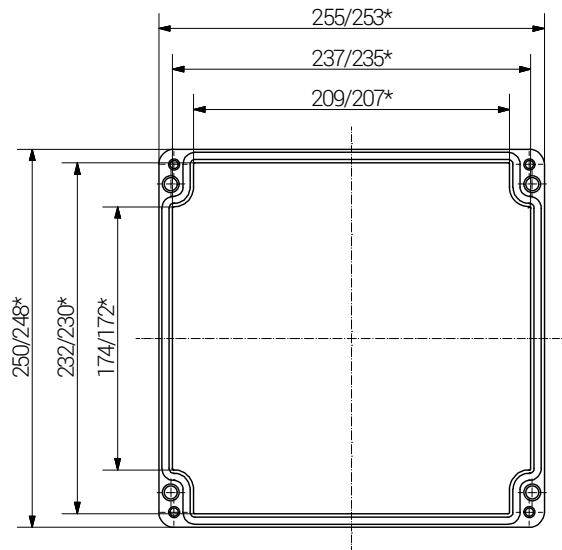


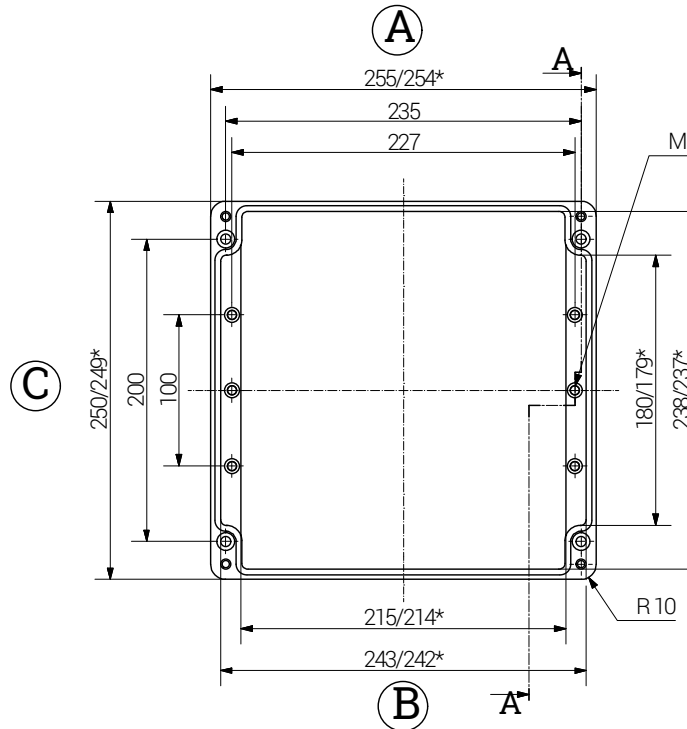
Article		Length (mm)	Width (mm)	Height (mm)	DIN Rail for Terminals		PE Busbar	PE Angele Brackets	Mounting Plate Thickness in mm	External Mounting Brackets in Aluminium set	External Hinge pair	Off-Shore Plate
Ex e	Ex ia				TS 15	TS 35						
17 262516 000	18 262516 000	255	250	160	X	X	X	-	2.0 ^{a)}	X	X	X

a) Sheet steel, zinc-plated
b) Pertinax (Hartpapier)

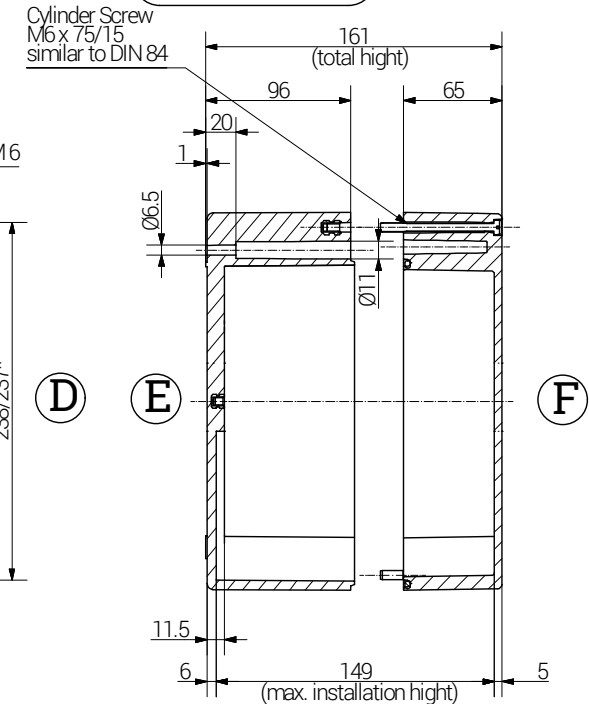
lid



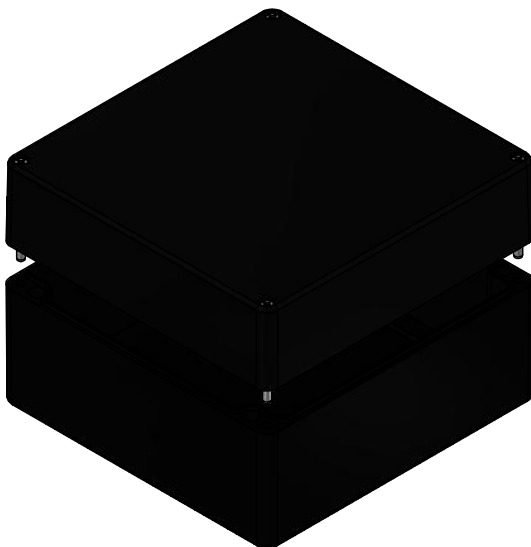
base




Section A-A



*= Dimension reduced at bottom due to conical form
Tolerances to DIN 16901-130.



		RST Rabe-System-Technik und Vertriebs-GmbH Otto-Lilienthal-Strasse 19 49134 Wallenhorst ☎ +49 5407 8766-0 ☎ +49 5407 8766-99 ✉ info@rst.eu			Unless otherwise specified on the drawing: Metric Thread = EN 60423 PG Thread = DIN 40430 NPT Thread = ANSI B1.20.1 Tolerance: DIN ISO 2768-m All dimensions in mm.			Abusively use, in particular reproduction and dissemination to third parties is not permitted. You can be punished by civil law. Technical changes are reserved.		
		Date		Name		<h1>Ex-Enclosure</h1> <h2>255 x 250 x 160 mm</h2>				
Draw.		SL								
Appr.		KH								
Norm										
Scale:		1:5								
Material:		Polyester		Drawing-Nr.:		see table		1 of 1		
Status		Modification		Date		Name		A4		
						Z:\Inventor\Gehäuse\Ex-Gehäuse-Polyester\17265216000\Ex-Polyester-Gehäuse-18-BG-0001-17_262516_000.idw		V6		

Please note that the above representation is just a dimension illustration.