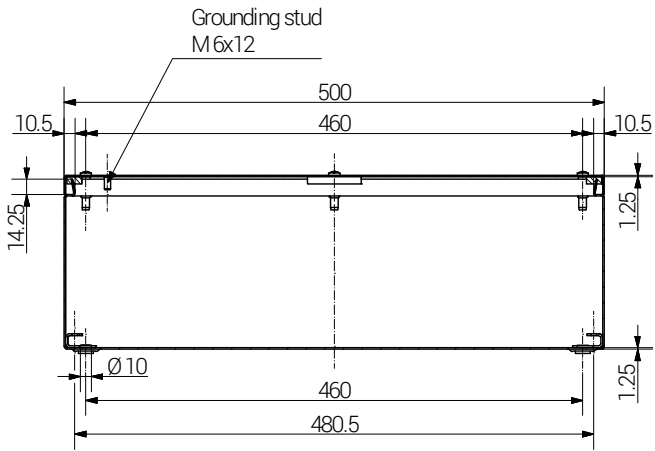


Article	Length	Width	Height	External Mounting Brackets	External Hinge
	(mm)	(mm)	(mm)	Aluminium set	pair
20 504016 000	500	400	161	x	x

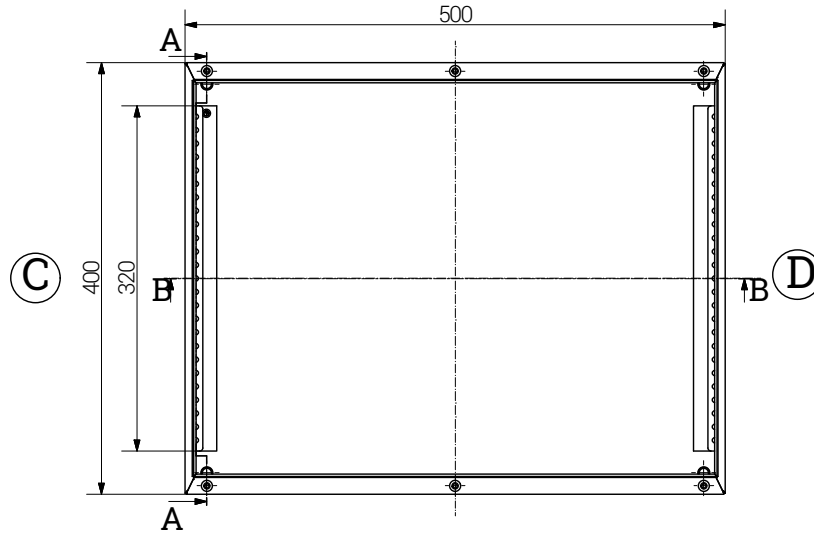
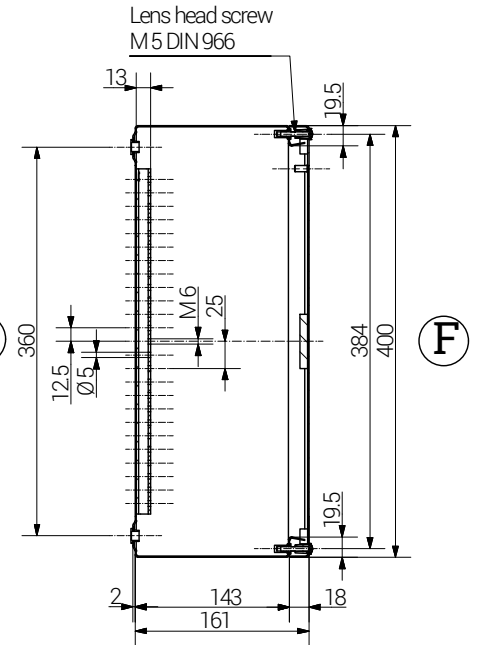
Section B-B



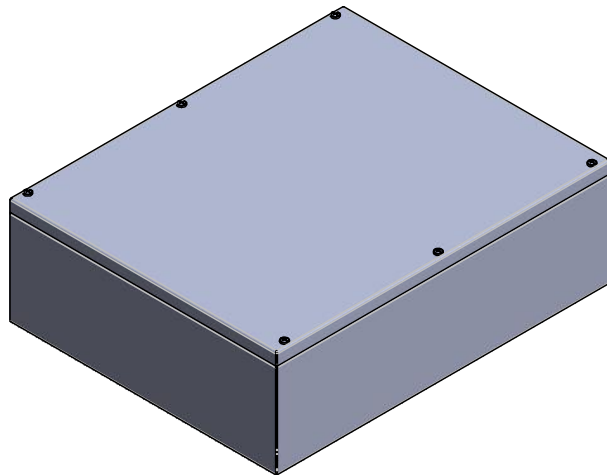
base

(A)

Section A-A



(B)



RST Rabe-System-Technik und Vertriebs-GmbH
 Otto-Lilienthal-Strasse 19
 49134 Wallenhorst
 ☎ +49 5407 8766-0
 ☎ +49 5407 8766-99
 ✉ info@rst.eu

Unless otherwise specified on the drawing:
 Metric Thread = EN 60423
 PG Thread = DIN 40430
 NPT Thread = ANSI B1.20.1
 Tolerance: DIN ISO 2768-m
 All dimensions in mm.

Abusively use, in particular reproduction and dissemination to third parties is not permitted. You can be punished by civil law. Technical changes are reserved.

		Date	Name
Draw.		30.05.2018	SL
Appr.		30.05.2018	KH
Norm			
Scale:			1:7
Material:			Stainless Steel
Status	Modification	Date	Name

Enclosure	
500 x 400 x 161 mm	
Drawing-Nr.:	20 504016 000
	1 of 1
	A4
	V5

Please note that the above representation is just a dimension illustration.