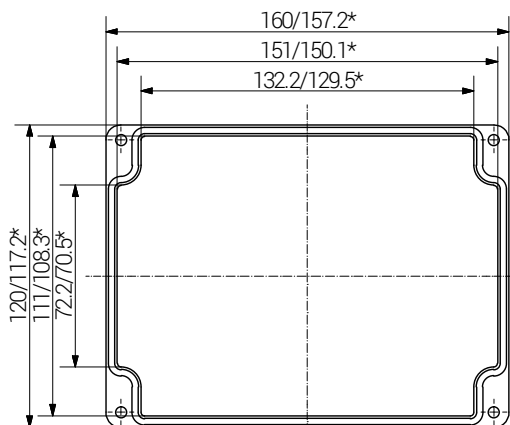
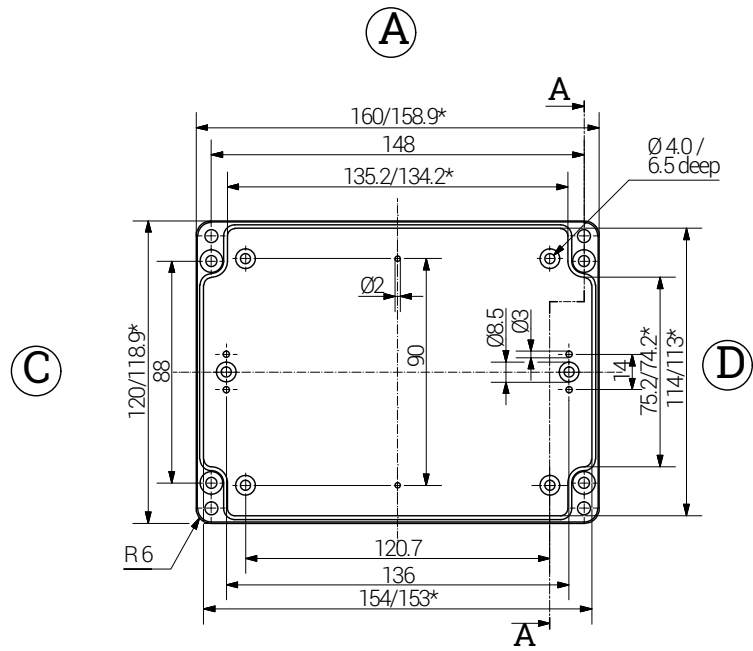


Article			Length (mm)	Width (mm)	Height (mm)	DIN Rail for Terminals		Mounting Plate Thickness in mm	External Mounting Brackets set	External Hinge Appr. 150°C PC pair
ABS	Polycarbonate	Polycarbonate with clear lid				TS 15	TS 35			
01 161214 010	02 161214 010	02 161214 045	160	120	140	x	x	2.0	x	x

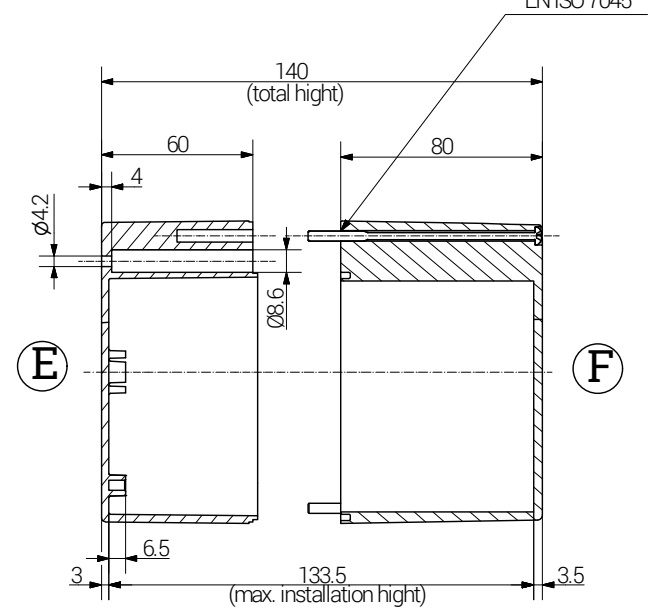
lid



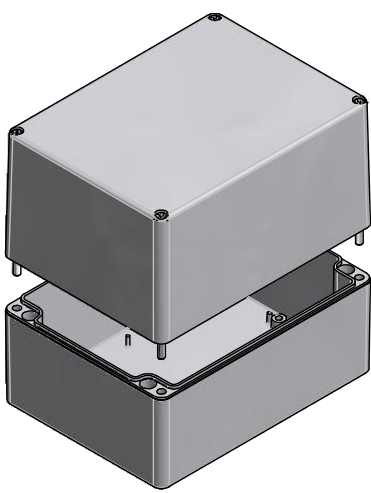
base



Section A-A




Cylinder screw
M4x90/22
similar to DIN
EN ISO 7045



Weight: 600 g

*= Dimension reduced at bottom due to conical form.
Tolerances to DIN 16901-130.

		RST Rabe-System-Technik und Vertriebs-GmbH Otto-Lilienthal-Strasse 19 49134 Wallenhorst ☎ +49 5407 8766-0 ☎ +49 5407 8766-99 ✉ info@rst.eu			Unless otherwise specified on the drawing: Metric Thread = EN 60423 PG Thread = DIN 40430 NPT Thread = ANSI B1.20.1 Tolerance: DIN ISO 2768-m All dimensions in mm.			Abusively use, in particular reproduction and dissemination to third parties is not permitted. You can be punished by civil law. Technical changes are reserved.		
		Date	Name	<h2 style="text-align: center;">Enclosure</h2> <h3 style="text-align: center;">160 x 120 x 140 mm</h3>		Drawing-Nr.: <div style="text-align: center; font-size: 2em;">see table</div>	<div style="font-size: 3em; font-weight: bold;">1</div> of 1			
Draw.	28.05.2018	SL								
Appr.	28.05.2018	KH								
Norm										
Scale:		1:3								
Material:		see table		see table		A4				
Status	Modification	Date	Name	Z:\Inventor\Gehäuse\Gehäuse-ABS\01161214010\ABS-Gehäuse-19-BG-0001-01_161214_010.idw			V7			

Please note that the above representation is just a dimension illustration.