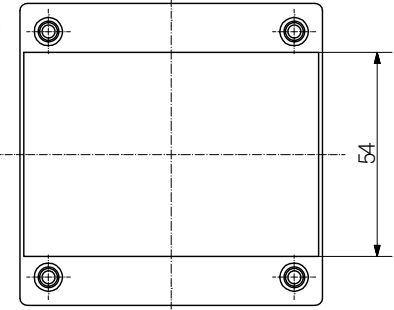


View F

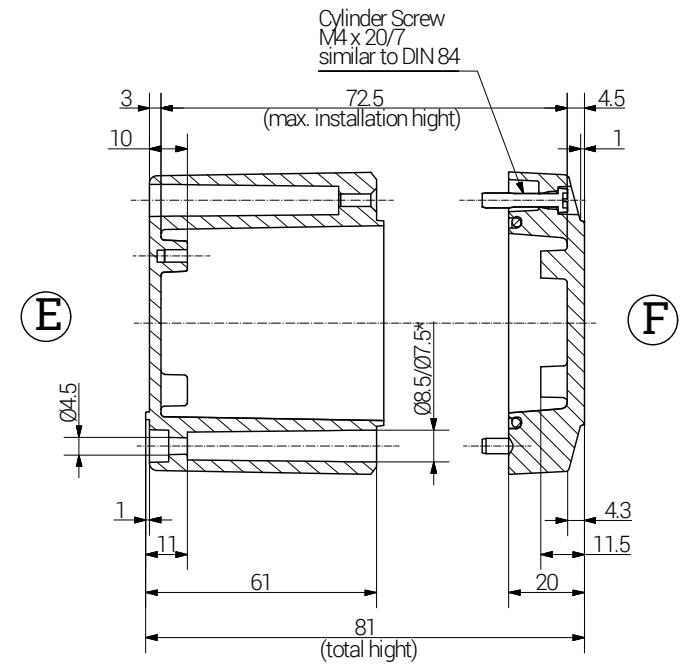
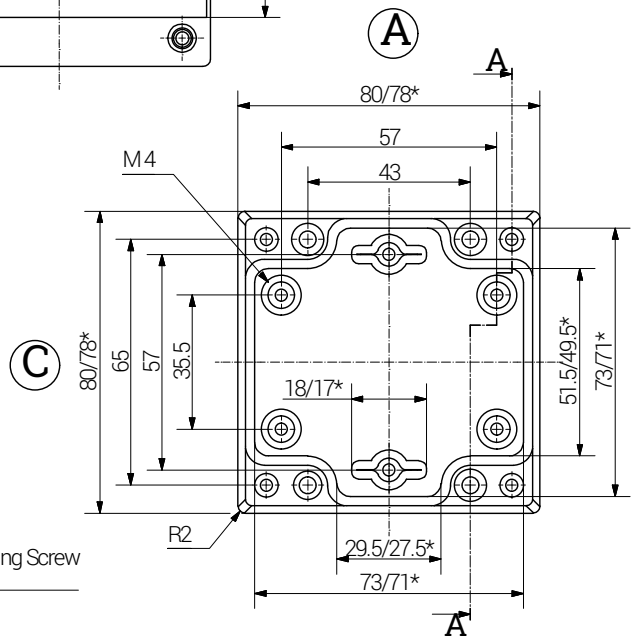
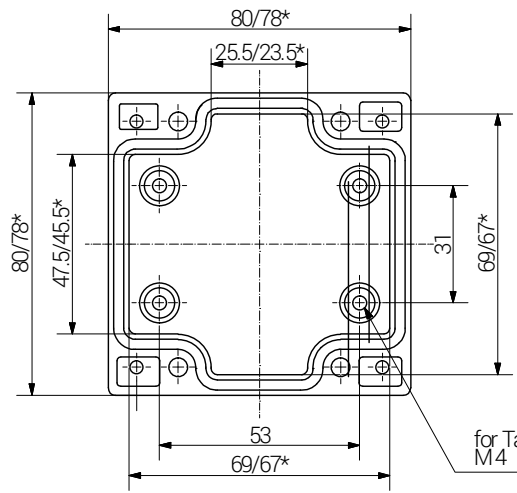


lid

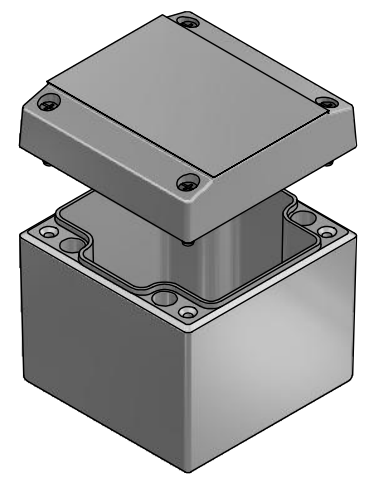
base


Article	Length (mm)	Width (mm)	Height (mm)	Mounting Rail		Mounting Plate	External bars pair	External Hinge in Aluminium pair
				TS 15	TS 35			
08 080808 000	80	80	80	X	-	X	X	X

Section A-A



*= Dimension reduced at bottom due to conical form. Tolerances to GTA 13/5 - DIN 1688.



		RST Rabe-System-Technik und Vertriebs-GmbH Otto-Lilienthal-Strasse 19 49134 Wallenhorst ☎ +49 5407 8766-0 📠 +49 5407 8766-99 ✉ info@rst.eu			Unless otherwise specified on the drawing: Metric Thread = EN 60423 PG Thread = DIN 40430 NPT Thread = ANSI B1.20.1 Tolerance: DIN ISO 2768-m All dimensions in mm.		Abusively use, in particular reproduction and dissemination to third parties is not permitted. You can be punished by civil law. Technical changes are reserved.	
		Draw. 08.06.2018 SL Appr. 08.06.2018 KH Norm Scale: 1:2 Material: Aluminium	Date Name	<h1 style="text-align: center;">Electronic Enclosure</h1> <h2 style="text-align: center;">80 x 80 x 80 mm</h2>		Drawing-Nr.: 08 080808 000	1 of 1 A4 V70	
Status Modification Date Name	Z:\Inventor\Gehäuse\Elektronikgehäuse-Aluminium\08080808000\Elektronikgehäuse-Alu-01-BG-0001-08_080808_000.idw							

Weight: 420 g

Please note that the above representation is just a dimension illustration.