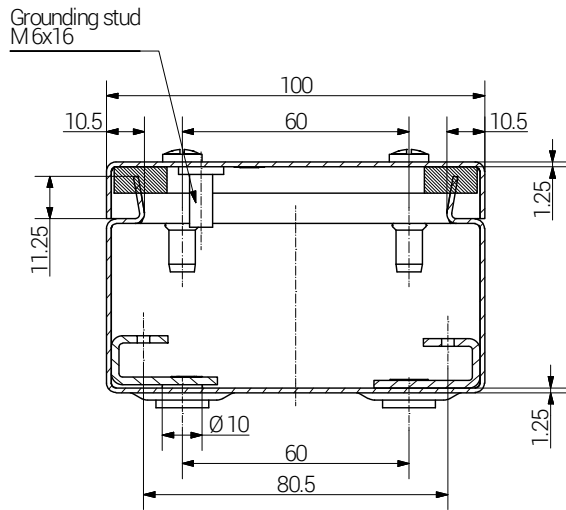
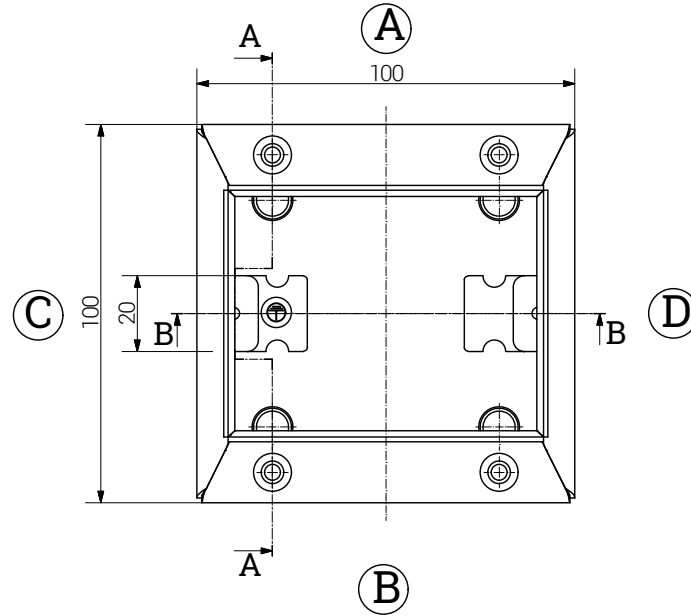


Article	Length (mm)	Width (mm)	Height (mm)	External Mounting Brackets Aluminium set	External Hinge pair
20 101006 000	100	100	61	x	x

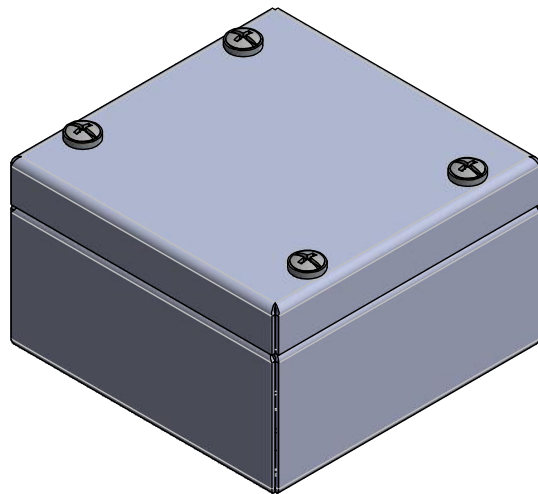
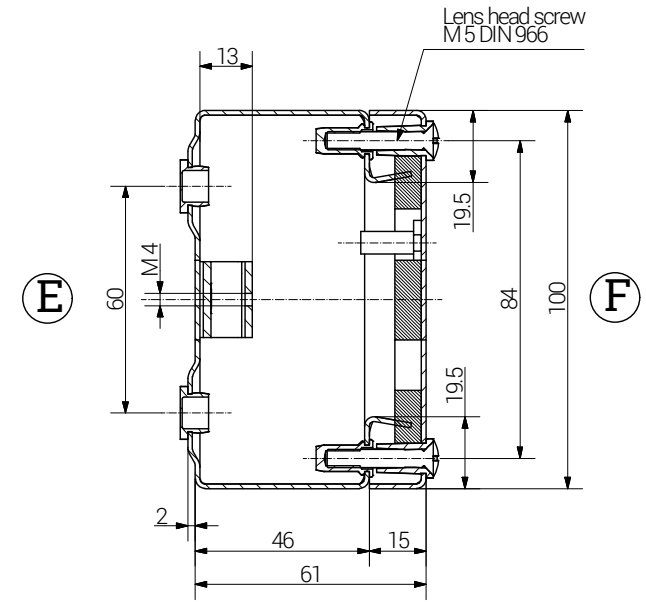
Section B-B




base



Section A-A



		RST Rabe-System-Technik und Vertriebs-GmbH Otto-Lilienthal-Strasse 19 49134 Wallenhorst ☎ +49 5407 8766-0 📠 +49 5407 8766-99 ✉ info@rst.eu			Unless otherwise specified on the drawing: Metric Thread = EN 60423 PG Thread = DIN 40430 NPT Thread = ANSI B1.20.1 Tolerance: DIN ISO 2768-m All dimensions in mm.		Abusively use, in particular reproduction and dissemination to third parties is not permitted. You can be punished by civil law. Technical changes are reserved.																							
		<table border="1"> <thead> <tr> <th></th> <th>Date</th> <th>Name</th> </tr> </thead> <tbody> <tr> <td>Draw.</td> <td>30.05.2018</td> <td>SL</td> </tr> <tr> <td>Appr.</td> <td>30.05.2018</td> <td>KH</td> </tr> <tr> <td>Norm</td> <td></td> <td></td> </tr> <tr> <td>Scale:</td> <td></td> <td>1:2</td> </tr> <tr> <td>Material:</td> <td colspan="2">Stainless Steel</td> </tr> </tbody> </table>		Date	Name	Draw.	30.05.2018	SL	Appr.	30.05.2018	KH	Norm			Scale:		1:2	Material:	Stainless Steel		Enclosure 100 x 100 x 61 mm		Drawing-Nr.: 20 101006 000		<table border="1"> <tr> <td>1</td> <td>of 1</td> </tr> <tr> <td>A4</td> <td></td> </tr> <tr> <td>V70</td> <td></td> </tr> </table>		1	of 1	A4	
	Date	Name																												
Draw.	30.05.2018	SL																												
Appr.	30.05.2018	KH																												
Norm																														
Scale:		1:2																												
Material:	Stainless Steel																													
1	of 1																													
A4																														
V70																														
Status	Modification	Date	Name	Z:\Inventor\Gehäuse\Gehäuse-Edelstahl\20101006000\Edelstahl-Gehäuse-01-BG-0001-20101006000.idw																										

Please note that the above representation is just a dimension illustration.