

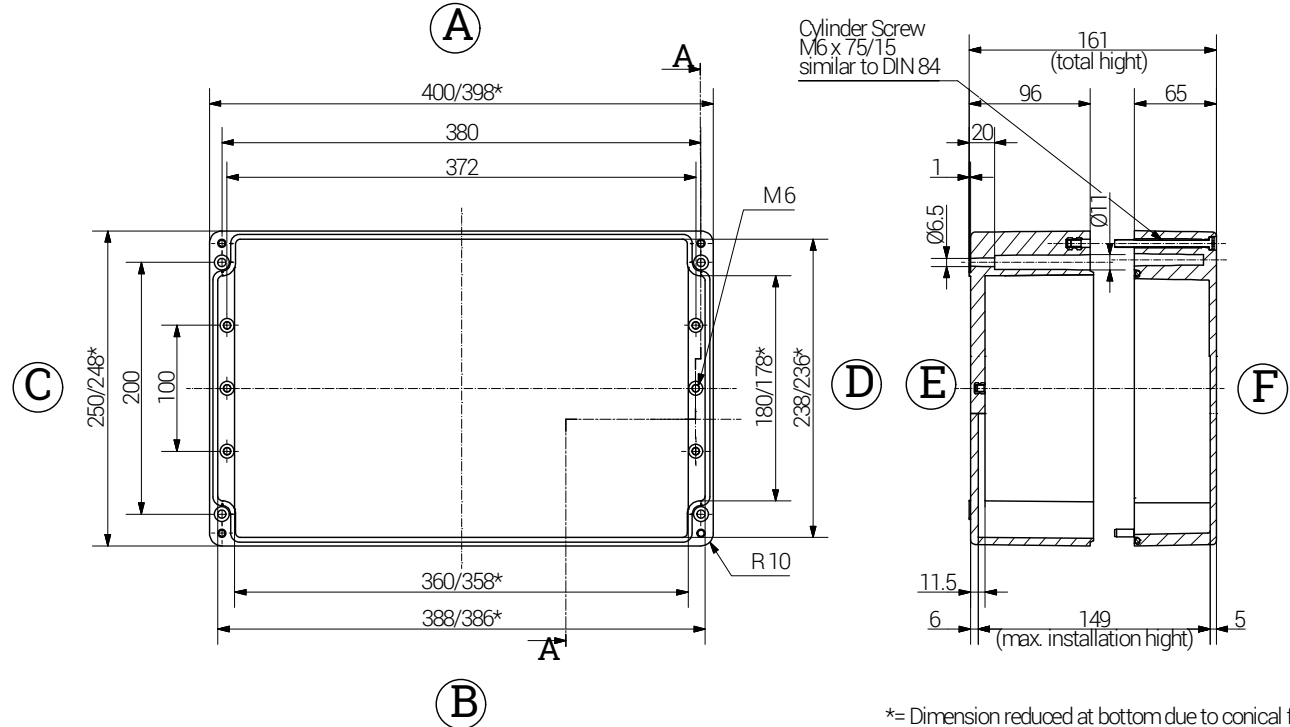
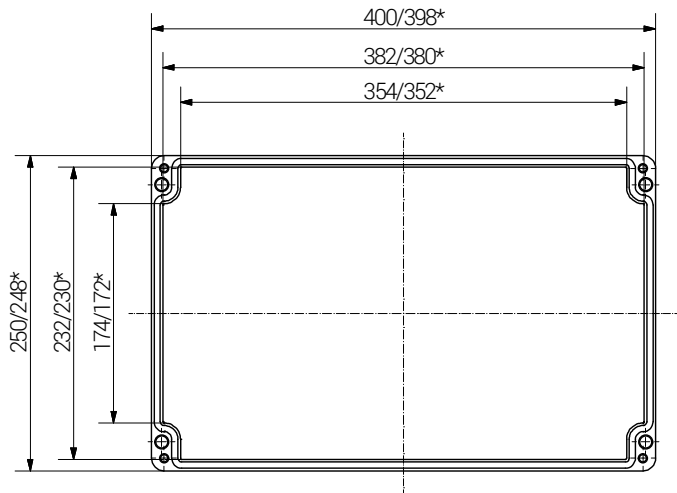
Article		Length (mm)	Width (mm)	Height (mm)	DIN Rail for Terminals		PE Busbar	PE Angele Brackets	Mounting Plate Thickness in mm	External Mounting Brackets in	External Hinge	Off-Shore Plate
Ex e	Ex ia				TS 15	TS 35						
17 402516 000	18 402516 000	400	250	160	X	X	X	-	2.0 ^{a)}	Aluminium set X	pair X	X

a) Sheet steel, zinc-plated
b) Pertinax (Hartpapier)

lid


base

Section A-A



*= Dimension reduced at bottom due to conical form
Tolerances to DIN 16901-130.



 RST connected by competence		RST Rabe-System-Technik und Vertriebs-GmbH Otto-Lilienthal-Strasse 19 49134 Wallenhorst ☎ +49 5407 8766-0 📠 +49 5407 8766-99 ✉ info@rst.eu			Unless otherwise specified on the drawing: Metric Thread = EN 60423 PG Thread = DIN 40430 NPT Thread = ANSI B1.20.1 Tolerance: DIN ISO 2768-m All dimensions in mm.			Abusively use, in particular reproduction and dissemination to third parties is not permitted. You can be punished by civil law. Technical changes are reserved.			
		Draw.	12.06.2018	SL	Date	Name		<h1>Ex-Enclosure</h1> <h2>400 x 250 x 160 mm</h2>			
Appr.	12.06.2018	KH	Scale:		1:6						
Material:			Polyester			Drawing-Nr.:					
						see table					
Status	Modification	Date	Name	Z:\Inventor\Gehäuse\Ex-Gehäuse-Polyester\17402516000\Ex-Polyester-Gehäuse-20-BG-0001-17_402516_000.idw			1 of 1				
									A4		
									V8		

Please note that the above representation is just a dimension illustration.