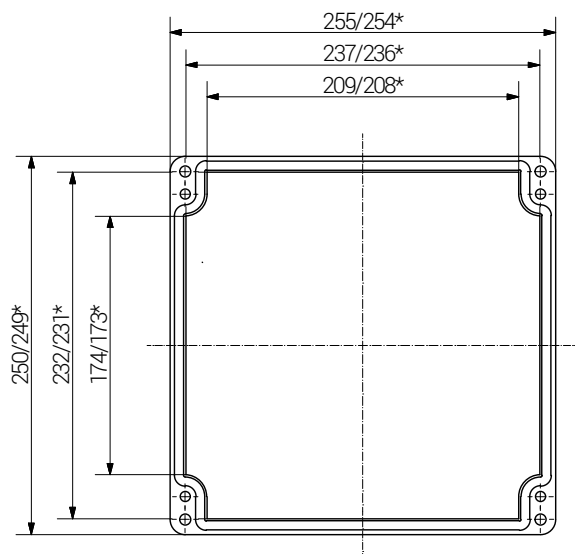


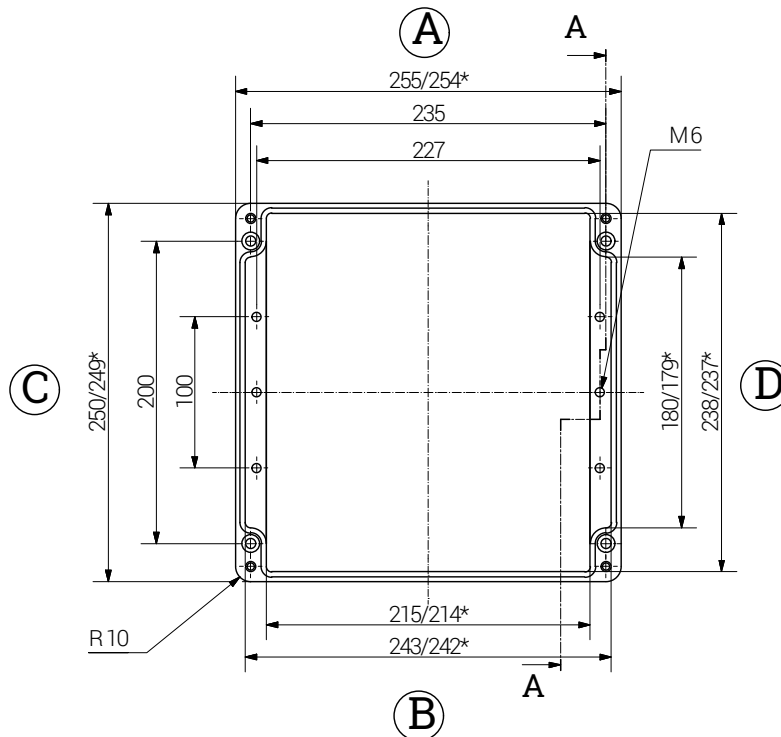
Article	Length (mm)	Width (mm)	Height (mm)	DIN Rail for Terminals		Mounting Plate Thickness in mm	External Mounting Brackets in Stainless Steel set	External Hinge in Aluminium pair
				TS 15	TS 35			
07 262512 010	255	250	120	x	x	2.0 <sup>a)</sup>	x	x

a) Sheet steel, zinc-plated

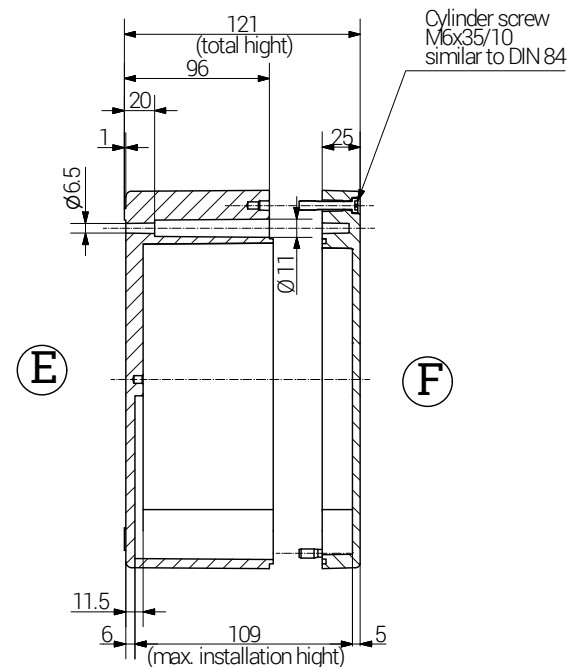
lid



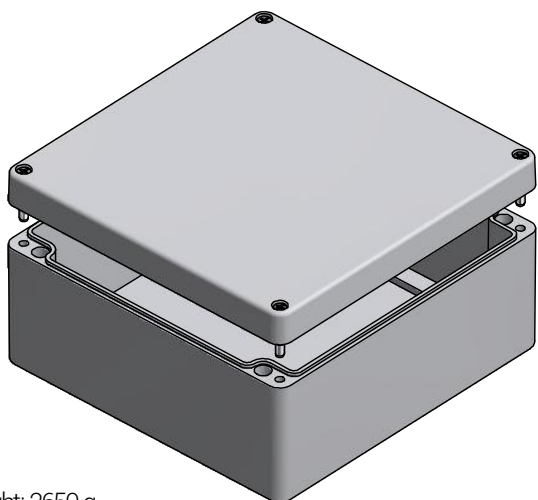
base




Section A-A



\*= Dimension reduced at bottom due to conical form  
Tolerances to DIN 16901-130.



Weight: 2650 g

 <b>RST</b> connected by competence		<b>RST Rabe-System-Technik und Vertriebs-GmbH</b> Otto-Lilienthal-Strasse 19 49134 Wallenhorst ☎ +49 5407 8766-0 📠 +49 5407 8766-99 ✉ info@rst.eu			Unless otherwise specified on the drawing: Metric Thread = EN 60423 PG Thread = DIN 40430 NPT Thread = ANSI B1.20.1 Tolerance: DIN ISO 2768-m All dimensions in mm.		Abusively use, in particular reproduction and dissemination to third parties is not permitted. You can be punished by civil law. Technical changes are reserved.			
		Draw.	29.05.2018	SL	Date	Name	<h1>Enclosure</h1> <h2>255 x 250 x 120 mm</h2>			
Appr.	29.05.2018	KH								
Norm										
Scale:		1:5								
					Material:	Polyester		Drawing-Nr.:	07 262512 010	
Status	Modification	Date	Name	Z:\Inventor\Gehäuse\Gehäuse-Polyester\07_262512_010\Polyester-Gehäuse-20-BG-0001-07_262512_010.idw				1	of	1
								A4		
								V9		

Please note that the above representation is just a dimension illustration.