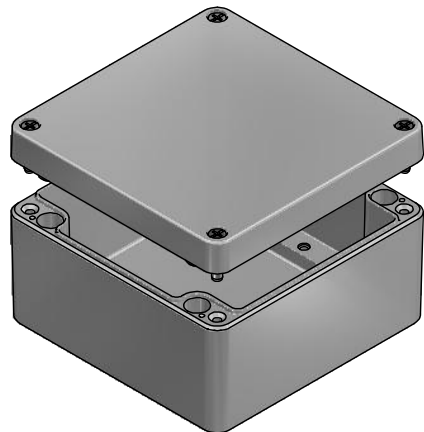
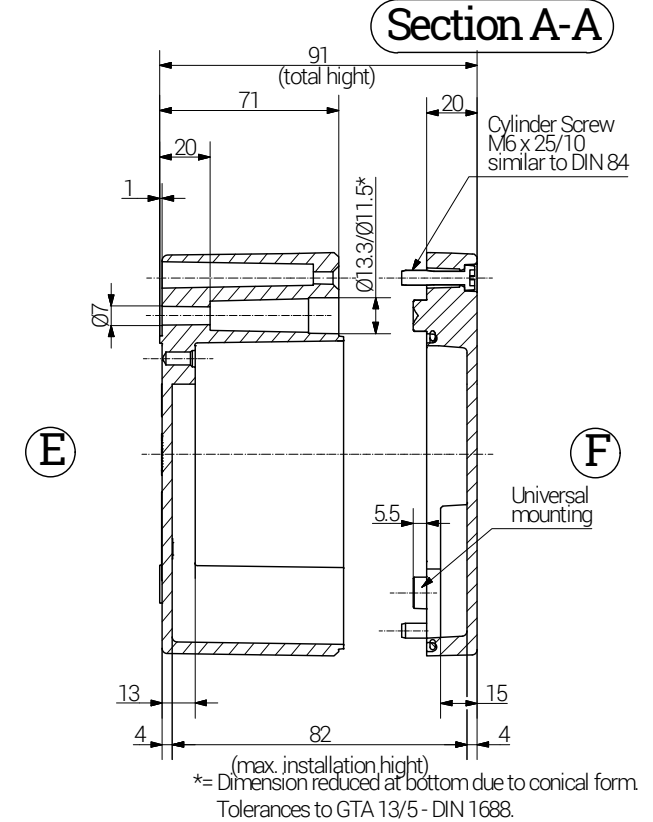
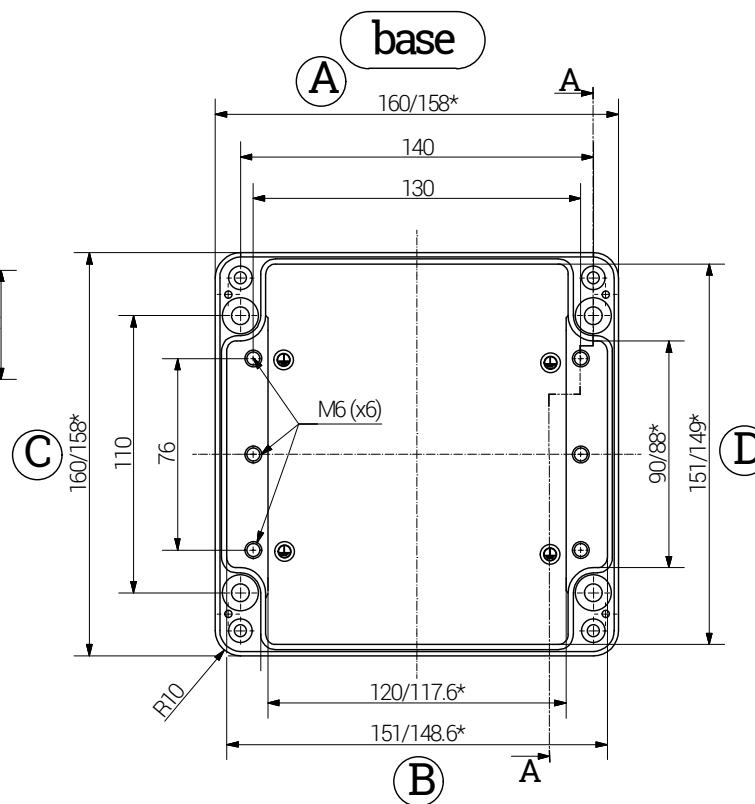
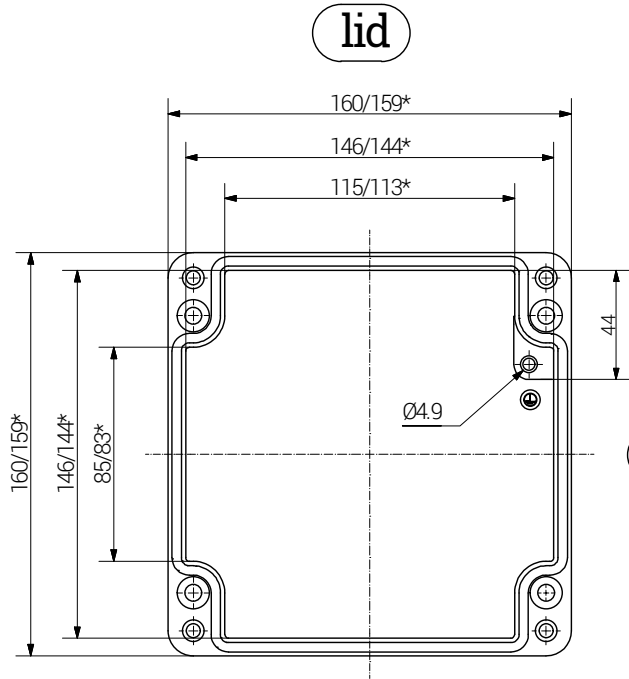



Article	Length (mm)	Width (mm)	Height (mm)	DIN Rail		Earthing Rail, number of clamping pieces	Mounting Plate galv. Sheet steel Thickness in mm	External Mounting Brackets in  set	External Hinge in Aluminium PC pair	Internal Hinges  PC pair
				TS 15	TS 35					
09 161609 000	160	160	90	x	x	8	1.5	x	x	x



Weight: 1480 g

		<b>RST Rabe-System-Technik und Vertriebs-GmbH</b> Otto-Lilienthal-Strasse 19 49134 Wallenhorst ☎ +49 5407 8766-0 📠 +49 5407 8766-99 ✉ info@rst.eu			Unless otherwise specified on the drawing: Metric Thread = EN 60423 PG Thread = DIN 40430 NPT Thread = ANSI B1.20.1 Tolerance: DIN ISO 2768-m All dimensions in mm.			Abusively use, in particular reproduction and dissemination to third parties is not permitted. You can be punished by civil law. Technical changes are reserved.		
		Draw.	30.05.2018	SL	Date	Name		<h1>Enclosure</h1> <h2>160 x 160 x 90 mm</h2>		
Appr.	30.05.2018	KH	Norm							
Scale:			1:3							
Material:	Aluminium		Drawing-Nr.:	09 161609 000						
Status	Modification	Date	Name	Z:\Inventor\Gehäuse\Gehäuse-Aluminium\09161609000\Alu-Gehäuse-21-BG-0001-09_161609_000.idw			1	of	1	
							A4			
							V8			

Please note that the above representation is just a dimension illustration.