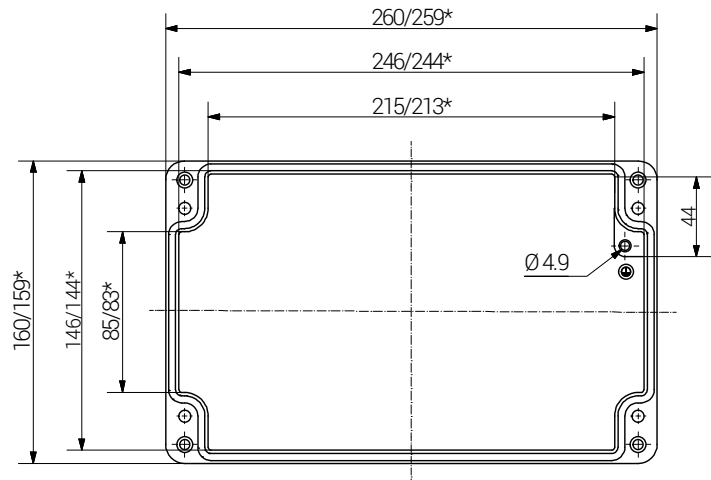
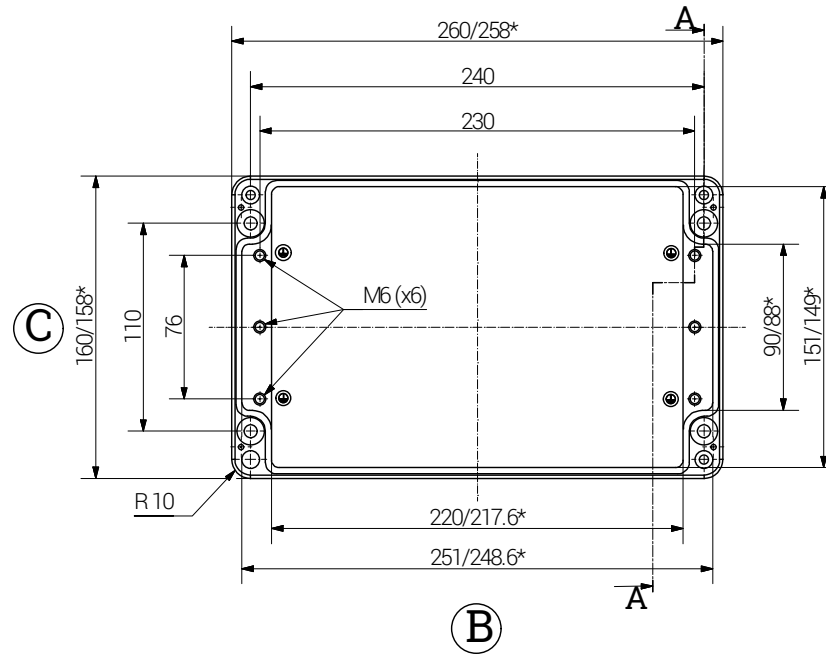


| Article | Length (mm) | Width (mm) | Height (mm) | DIN Rail | | Earthing Rail, number of clamping pieces | Mounting Plate galv. Sheet steel Thickness in mm | External Mounting Brackets in set | External Hinge in Aluminium PC pair | Internal Hinges PC pair |
|---------------|----------------|---------------|----------------|----------|-------|---|---|--|--|--------------------------------------|
| | | | | TS 15 | TS 35 | | | | | |
| 09 261609 000 | 260 | 160 | 90 | x | x | 16 | 1.5 | x | x | x |

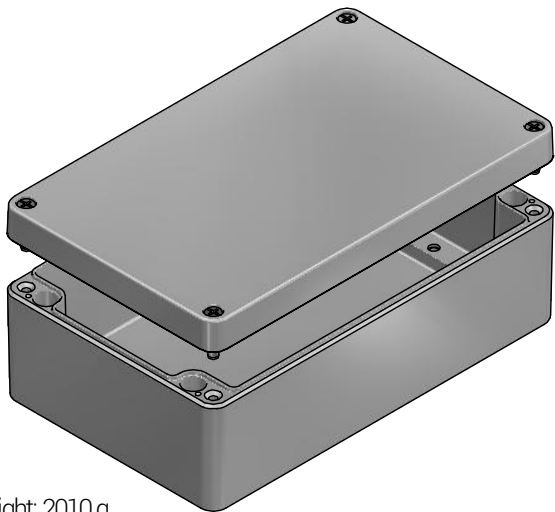
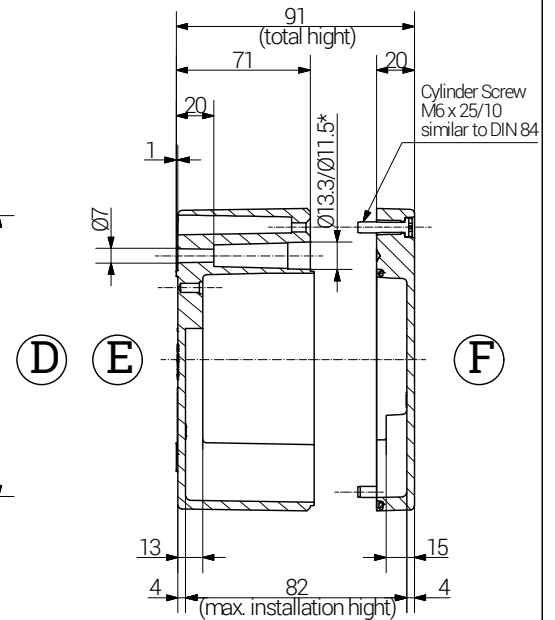
lid



base
A




Section A-A



Weight: 2010 g

*= Dimension reduced at bottom due to conical form.
Tolerances to GTA 13/5 - DIN 1688.

| | | | | | | | | | | | |
|--|------------|--|---------------|----|--|------|--|---|--------|--|------|
|  | | RST Rabe-System-Technik und Vertriebs-GmbH Otto-Lilienthal-Strasse 19 49134 Wallenhorst ☎ +49 5407 8766-0 📠 +49 5407 8766-99 ✉ info@rst.eu | | | Unless otherwise specified on the drawing: Metric Thread = EN 60423 PG Thread = DIN 40430 NPT Thread = ANSI B1.20.1 Tolerance: DIN ISO 2768-m All dimensions in mm. | | | Abusively use, in particular reproduction and dissemination to third parties is not permitted. You can be punished by civil law. Technical changes are reserved. | | | |
| | | Draw. | 30.05.2018 | SL | Date | Name | | <h1>Enclosure</h1> <h2>260 x 160 x 90 mm</h2> | | | |
| Appr. | 30.05.2018 | KH | Scale: | | 1:4 | | | | | | |
| Material: | | | Aluminium | | | | | | | | |
| Drawing-Nr.: | | | 09 261609 000 | | | | | | | | |
| Status | | | Modification | | | Date | | | | | Name |
| Z:\Inventor\Gehäuse\Gehäuse-Aluminium\09261609000\Alu-Gehäuse-22-BG-0001-09_261609_000.idw | | | Date | | | Name | | | 1 of 1 | | |
| | | | | | | | | | A4 | | |
| | | | | | | | | | V7 | | |

Please note that the above representation is just a dimension illustration.