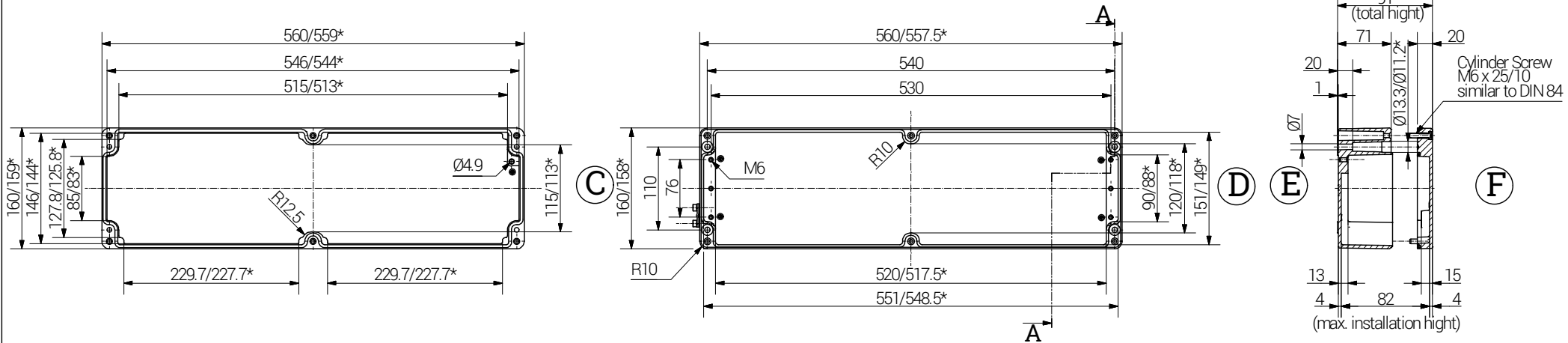


Article		Length (mm)	Width (mm)	Height (mm)	DIN Rail for terminals		PE busbar	PE angele brackets	Mounting Plate galv. Sheet steel Thickness in mm	External Mounting Brackets	External Hinge	Internal Hinges
Ex e	Ex ia				TS 15	TS 35						
15 561609 000	16 561609 000	560	160	90	X	X	1	-	2.0	Aluminium set	pair	pair

lid

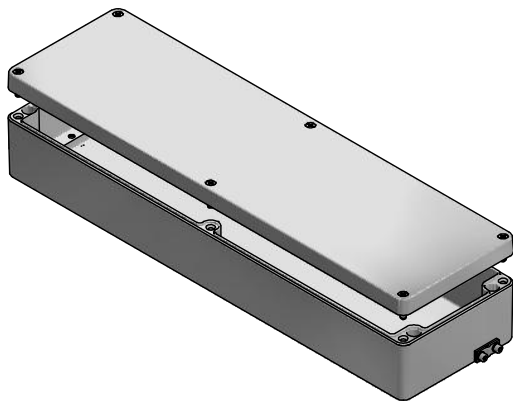
base


Section A-A



B

\*= Dimension reduced at bottom due to conical form  
Tolerances to GTA 13/5 - DIN 1688.



		<b>RST Rabe-System-Technik und Vertriebs-GmbH</b> Otto-Lilienthal-Strasse 19 49134 Wallenhorst ☎ +49 5407 8766-0 ☎ +49 5407 8766-99 ✉ info@rst.eu			Unless otherwise specified on the drawing: Metric Thread = EN 60423 PG Thread = DIN 40430 NPT Thread = ANSI B1.20.1 Tolerance: DIN ISO 2768-m All dimensions in mm.			Abusively use, in particular reproduction and dissemination to third parties is not permitted. You can be punished by civil law. Technical changes are reserved.			
		Draw.	12.06.2018	SL	Date	Name		<h1>Enclosure</h1> <h2>560 x 160 x 90 mm</h2>			
Appr.	12.06.2018	KH	Scale:	1:5							
Norm			Material:	Aluminium							
Status	Modification	Date	Name	Z:\Inventor\Gehäuse\Ex-Gehäuse\Aluminium\15561609000\Alu-Ex-Gehäuse-22-BG-0001-15_561609_000.idw							
							Drawing-Nr.:	see table		1	of 1
										A4	
										V3	

Please note that the above representation is just a dimension illustration.