

\*= Dimension reduced at bottom due to conical form  
Tolerances to DIN 16901-130.

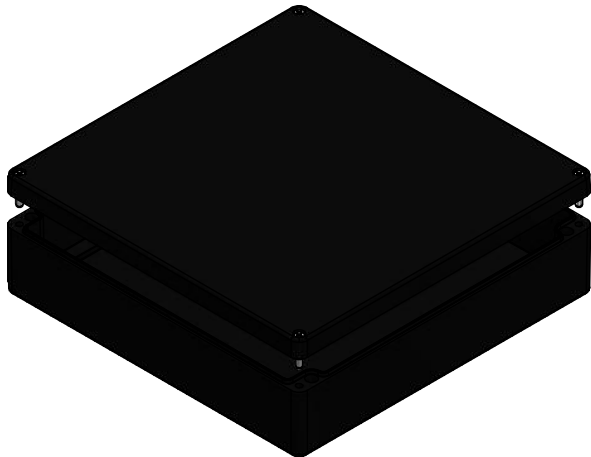
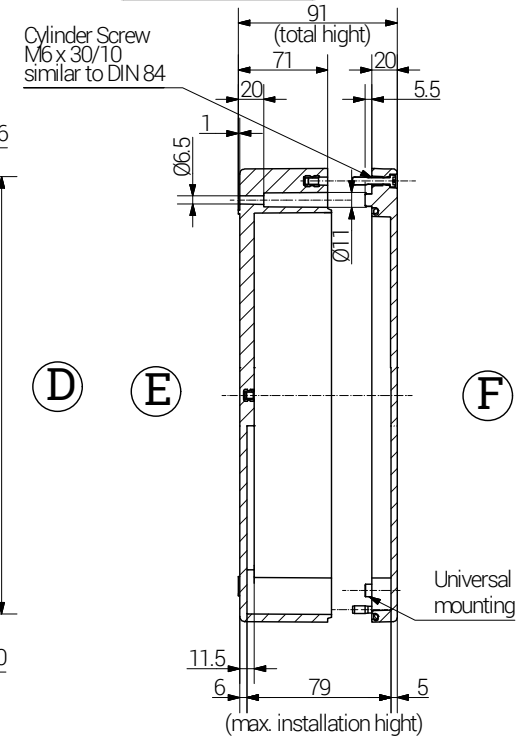
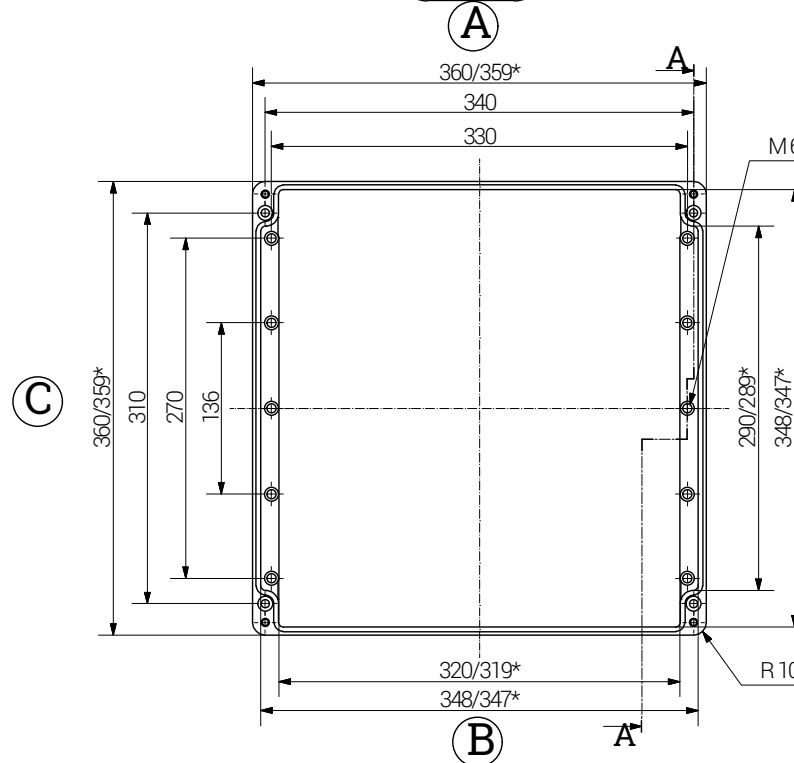
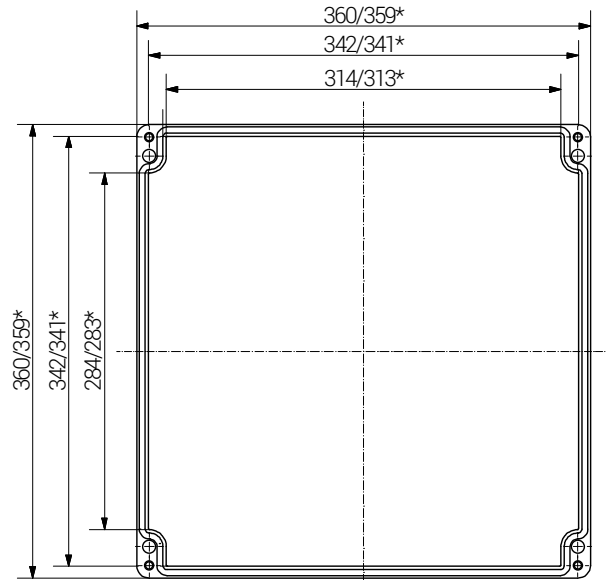
Article		Length (mm)	Width (mm)	Height (mm)	DIN Rail for Terminals		PE Busbar	PE Anzele Brackets	Mounting Plate Thickness in mm	External Mounting Brackets in Aluminium set	External Hinge pair	Off-Shore Plate
Ex e	Ex ia				TS 15	TS 35						
17 363609 000	18 363609 000	360	360	90	X	X	X	-	2.0 <sup>a)</sup>	X	X	X

a) Sheet steel, zinc-plated  
b) Pertinax (Hartpapier)

lid

base

Section A-A



		<b>RST Rabe-System-Technik und Vertriebs-GmbH</b> Otto-Lilienthal-Strasse 19 49134 Wallenhorst ☎ +49 5407 8766-0 📠 +49 5407 8766-99 ✉ info@rst.eu			Unless otherwise specified on the drawing: Metric Thread = EN 60423 PG Thread = DIN 40430 NPT Thread = ANSI B1.20.1 Tolerance: DIN ISO 2768-m All dimensions in mm.		Abusively use, in particular reproduction and dissemination to third parties is not permitted. You can be punished by civil law. Technical changes are reserved.	
		Date Draw. 12.06.2018 Appr. 12.06.2018 Norm Scale: 1:6 Material: Polyester	Name SL KH	<h1>Ex-Enclosure</h1> <h2>360 x 360 x 90 mm</h2>		Drawing-Nr.: see table	1 of 1 A4 V12	
Status	Modification	Date	Name	Z:\Inventor\Gehäuse\Ex-Gehäuse-Polyester\17363609000\Ex-Polyester-Gehäuse-22-BG-0001-17_363609_000.idw				

Please note that the above representation is just a dimension illustration.