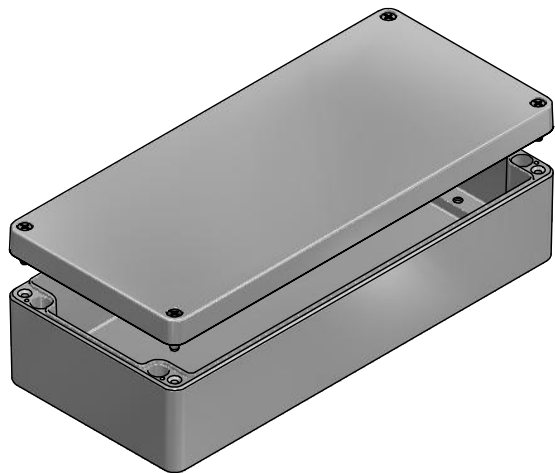
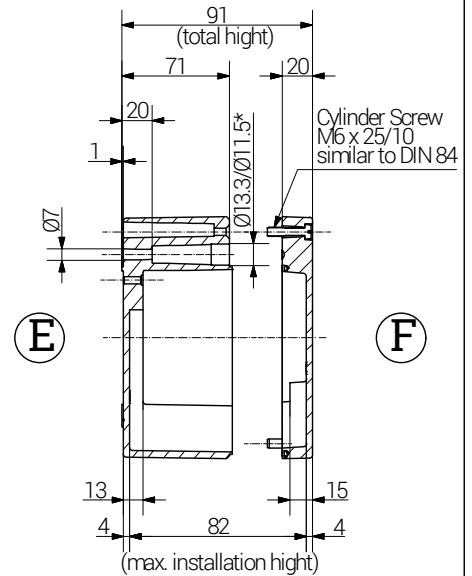
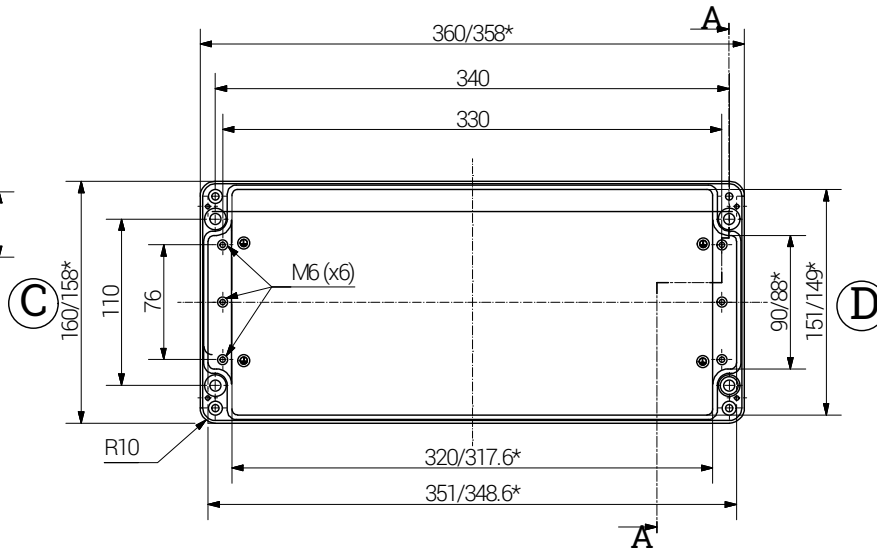
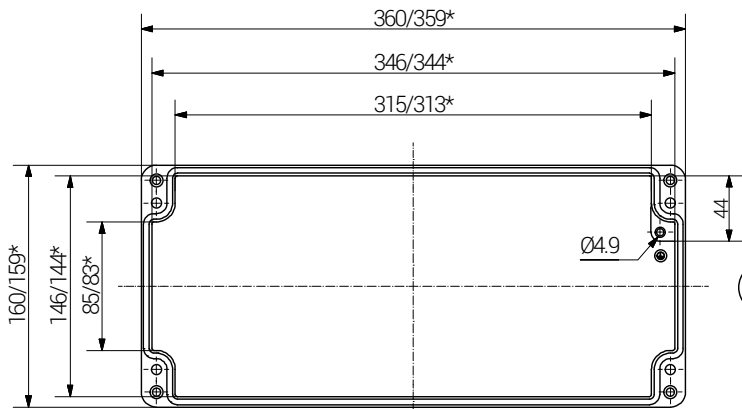


Article	Length (mm)	Width (mm)	Height (mm)	DIN Rail		Earthing Rail, number of clamping pieces	Mounting Plate galv. Sheet steel Thickness in mm	External Mounting Brackets in set	External Hinge in Aluminium PC pair	Internal Hinges PC pair
				TS 15	TS 35					
09 361609 000	360	160	90	x	x	23	1.5	x	x	x

lid


base
A

Section A-A



Weight: 2520 g

*= Dimension reduced at bottom due to conical form
Tolerances to GTA 13/5 - DIN 1688.

		RST Rabe-System-Technik und Vertriebs-GmbH Otto-Lilienthal-Strasse 19 49134 Wallenhorst ☎ +49 5407 8766-0 📠 +49 5407 8766-99 📧 info@rst.eu			Unless otherwise specified on the drawing: Metric Thread = EN 60423 PG Thread = DIN 40430 NPT Thread = ANSI B1.20.1 Tolerance: DIN ISO 2768-m All dimensions in mm.		Abusively use, in particular reproduction and dissemination to third parties is not permitted. You can be punished by civil law. Technical changes are reserved.	
		Draw.	30.05.2018	SL	<h1>Enclosure</h1> <h2>360 x 160 x 90 mm</h2>			
Appr.	30.05.2018	KH						
Norm								
Scale:		1:5						
Material:	Aluminium							
Status	Modification	Date	Name	Z:\Inventor\Gehäuse\Gehäuse-Aluminium\09361609000\Alu-Gehäuse-23-BG-0001-09_361609_000.idw	Drawing-Nr.:	09 361609 000		1 of 1
							A4	V8

Please note that the above representation is just a dimension illustration.