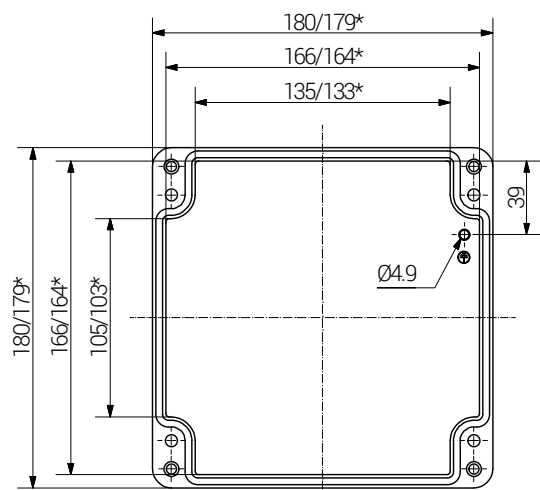


Article		Length (mm)	Width (mm)	Height (mm)	DIN Rail for terminals		PE busbar	PE angele brackets	Mounting Plate galv. Sheet steel Thickness in mm	External Mounting Brackets	External Hinge	Internal Hinges
Ex e	Ex ia				TS 15	TS 35						
15 181810 000	16 181810 000	180	180	100	X	X	1	-	1.5	X	pair	pair

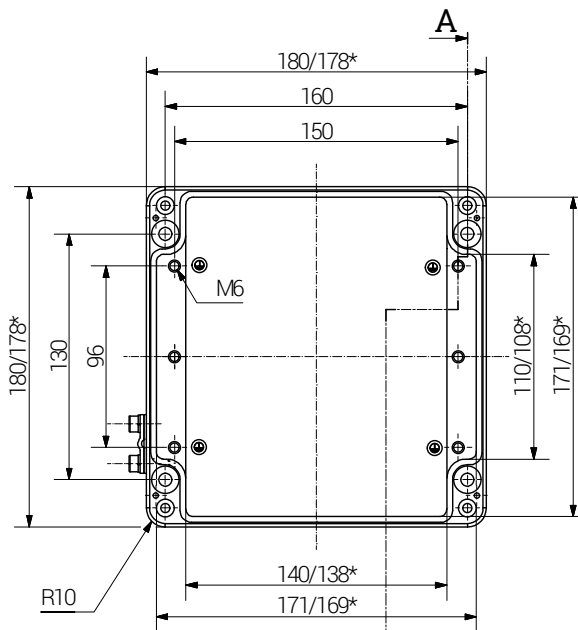
lid

base

Section A-A

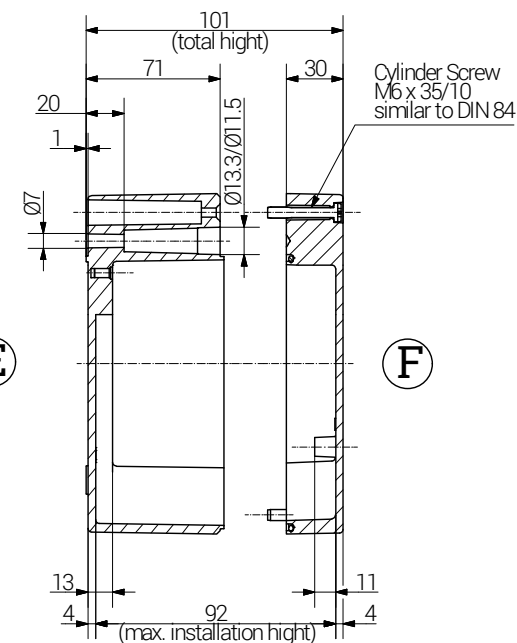


C

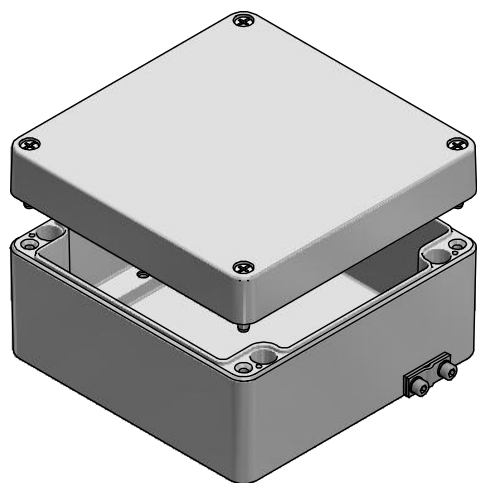


B A

D



\*= Dimension reduced at bottom due to conical form. Tolerances to GTA 13/5 - DIN 1688.



**RST Rabe-System-Technik und Vertriebs-GmbH**  
 Otto-Lilienthal-Strasse 19  
 49134 Wallenhorst  
 ☎ +49 5407 8766-0  
 📠 +49 5407 8766-99  
 ✉ info@rst.eu

Unless otherwise specified on the drawing:  
 Metric Thread = EN 60423  
 PG Thread = DIN 40430  
 NPT Thread = ANSI B1.20.1  
 Tolerance: DIN ISO 2768-m  
 All dimensions in mm.

Abusively use, in particular reproduction and dissemination to third parties is not permitted. You can be punished by civil law. Technical changes are reserved.

	Date	Name
Draw.	12.06.2018	SL
Appr.	12.06.2018	KH
Norm		
Scale:		1:4
Material:	Aluminium	

Drawing-Nr.:	see table	1 of 1
		A4
		V5

Status Modification Date Name Z:\Inventor\Gehäuse\Ex-Gehäuse\Aluminium\15181810000\Alu-Ex-Gehäuse-23-BG-0001-15\_181810\_000.idw

Please note that the above representation is just a dimension illustration.