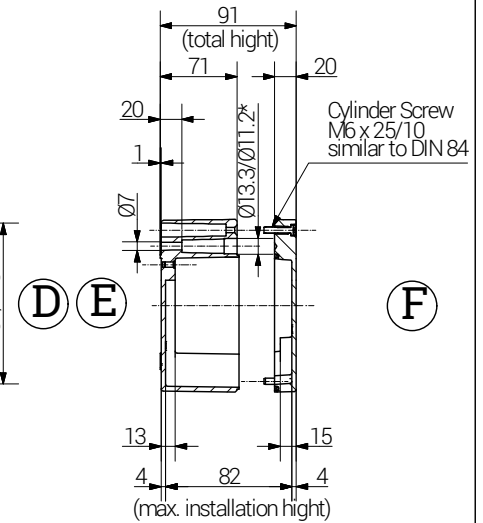
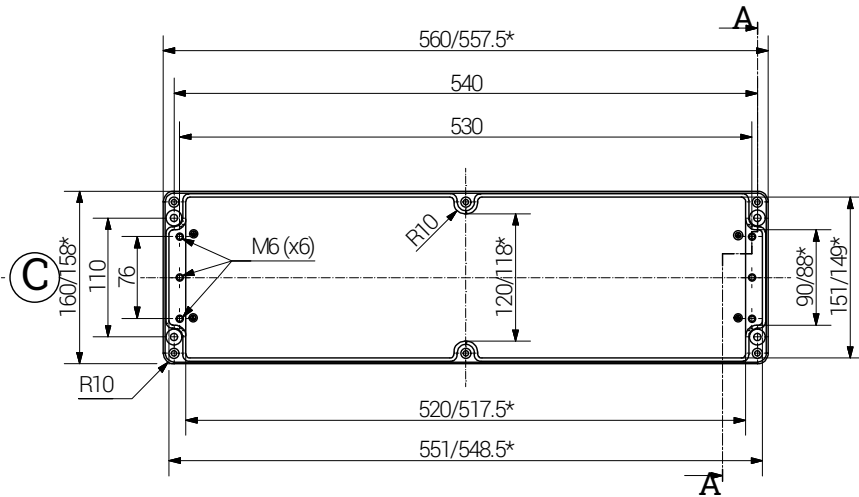
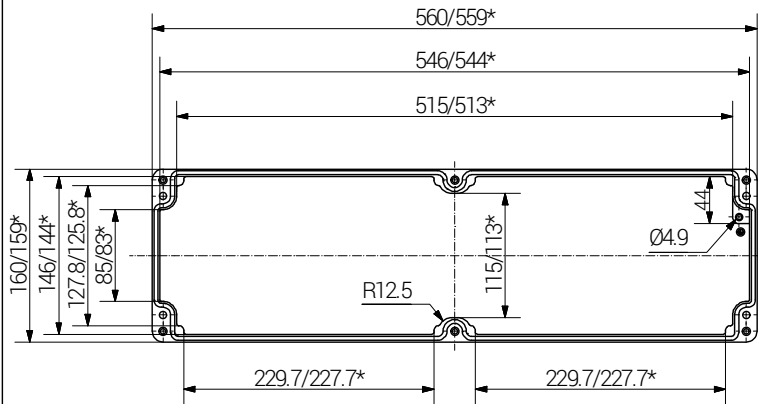


Article	Length (mm)	Width (mm)	Height (mm)	DIN Rail		Earthing Rail, number of clamping pieces	Mounting Plate galv. Sheet steel Thickness in mm	External Mounting Brackets in set	External Hinge in Aluminium PC pair	Internal Hinges  PC pair
				TS 15	TS 35					
09 561609 000	560	160	90	x	x	36	2.0	x	x	x

lid

base  
A

Section A-A




B

\*= Dimension reduced at bottom due to conical form  
Tolerances to GTA 13/5 - DIN 1688.



Weight: 3740 g

		<b>RST Rabe-System-Technik und Vertriebs-GmbH</b> Otto-Lilienthal-Strasse 19 49134 Wallenhorst ☎ +49 5407 8766-0 📠 +49 5407 8766-99 ✉ info@rst.eu			Unless otherwise specified on the drawing: Metric Thread = EN 60423 PG Thread = DIN 40430 NPT Thread = ANSI B1.20.1 Tolerance: DIN ISO 2768-m All dimensions in mm.		Abusively use, in particular reproduction and dissemination to third parties is not permitted. You can be punished by civil law. Technical changes are reserved.		
		Draw.	30.05.2018	SL	<h1>Enclosure</h1> <h2>560 x 160 x 90 mm</h2>				
Appr.	30.05.2018	KH							
Norm									
Scale:		1:7							
Material:			Aluminium		Drawing-Nr.:		09 561609 000		
Status	Modification	Date	Name	Z:\Inventor\Gehäuse\Gehäuse-Aluminium\09561609000\Alu-Gehäuse-24-BG-0001-09_561609_000.idw				1	of 1
								A4	V7

Please note that the above representation is just a dimension illustration.