

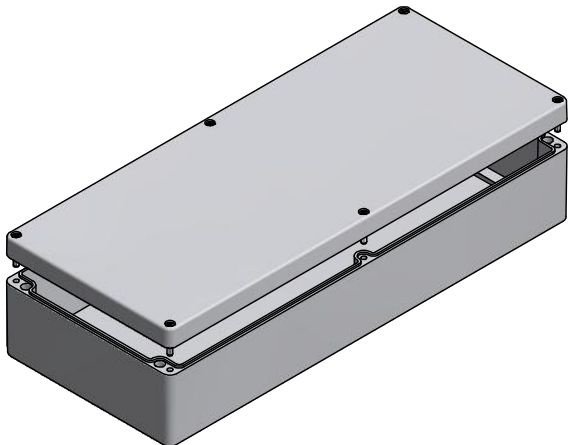
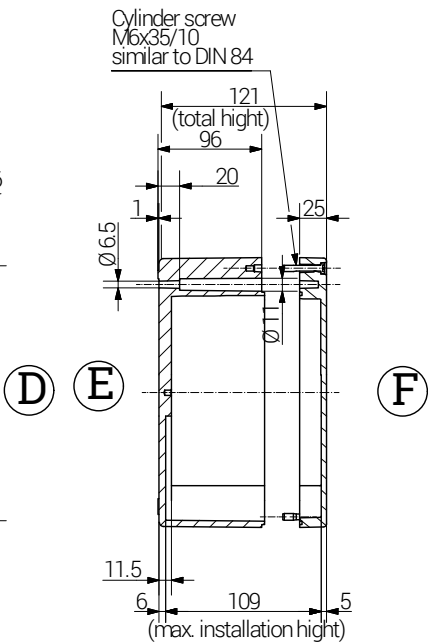
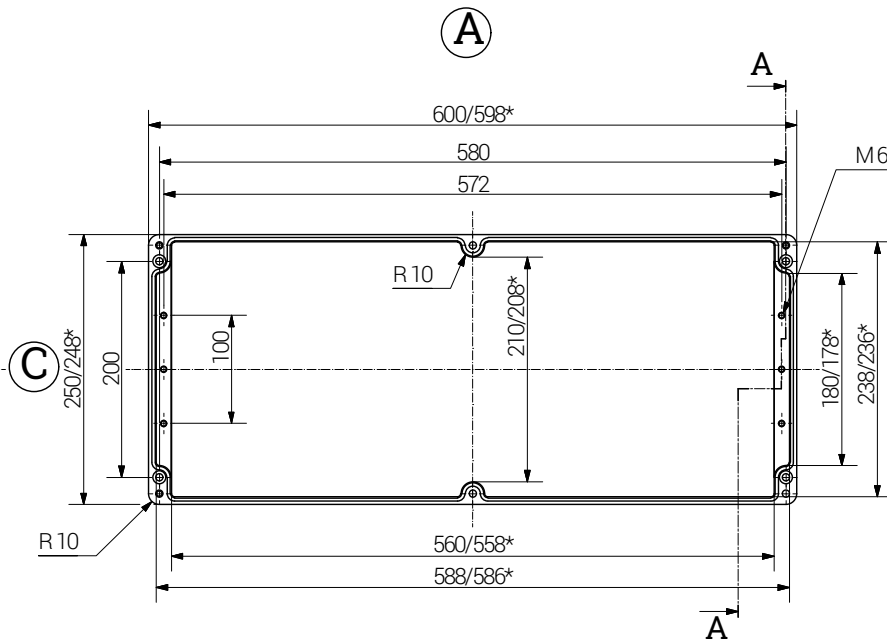
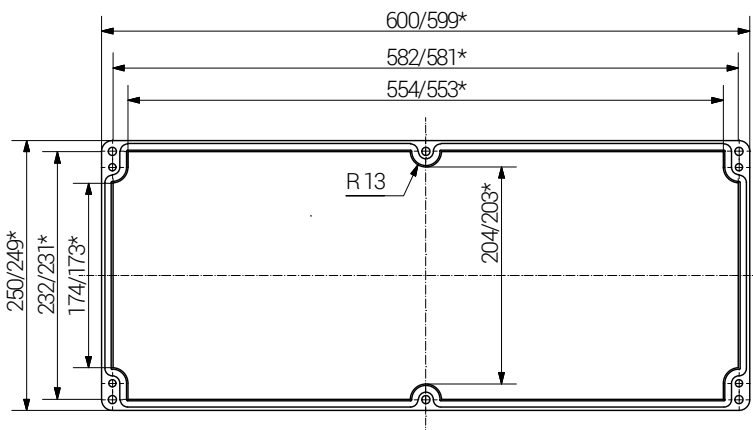
Article	Length (mm)	Width (mm)	Height (mm)	DIN Rail for Terminals		Mounting Plate Thickness in mm	External Mounting Brackets in Stainless Steel set	External Hinge in Aluminium pair
				TS 15	TS 35			
07 602512 010	600	250	120	x	x	2.0 ^{a)}	x	x

a) Sheet steel, zinc-plated

lid


base

Section A-A



Weight: 5235 g

*= Dimension reduced at bottom due to conical form. Tolerances to DIN 16901-130.

		RST Rabe-System-Technik und Vertriebs-GmbH Otto-Lilienthal-Strasse 19 49134 Wallenhorst ☎ +49 5407 8766-0 ☎ +49 5407 8766-99 ✉ info@rst.eu			Unless otherwise specified on the drawing: Metric Thread = EN 60423 PG Thread = DIN 40430 NPT Thread = ANSI B1.20.1 Tolerance: DIN ISO 2768-m All dimensions in mm.		Abusively use, in particular reproduction and dissemination to third parties is not permitted. You can be punished by civil law. Technical changes are reserved.															
		<table border="1"> <thead> <tr> <th>Date</th> <th>Name</th> </tr> </thead> <tbody> <tr> <td>Draw. 29.05.2018</td> <td>SL</td> </tr> <tr> <td>Appr. 29.05.2018</td> <td>KH</td> </tr> <tr> <td>Norm</td> <td></td> </tr> <tr> <td>Scale:</td> <td>1:7</td> </tr> <tr> <td>Material:</td> <td>Polyester</td> </tr> </tbody> </table>	Date	Name	Draw. 29.05.2018	SL	Appr. 29.05.2018	KH	Norm		Scale:	1:7	Material:	Polyester	Drawing-Nr.: 07 602512 010		<table border="1"> <tr> <td>1</td> <td>of 1</td> </tr> <tr> <td colspan="2">A4</td> </tr> <tr> <td colspan="2">V7</td> </tr> </table>		1	of 1	A4	
Date	Name																					
Draw. 29.05.2018	SL																					
Appr. 29.05.2018	KH																					
Norm																						
Scale:	1:7																					
Material:	Polyester																					
1	of 1																					
A4																						
V7																						
Status	Modification	Date	Name	Z:\Inventor\Gehäuse\Gehäuse-Polyester\07_602512_010\Polyester-Gehäuse-24-BG-0001-07_602512_010.idw																		

Please note that the above representation is just a dimension illustration.