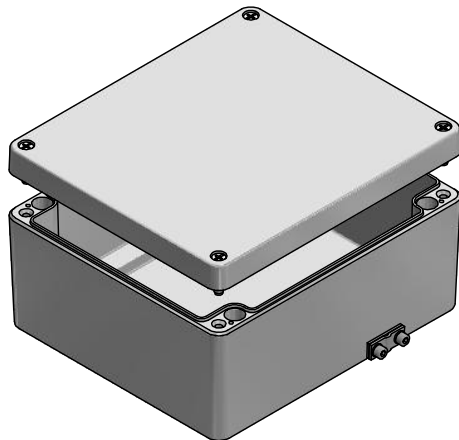
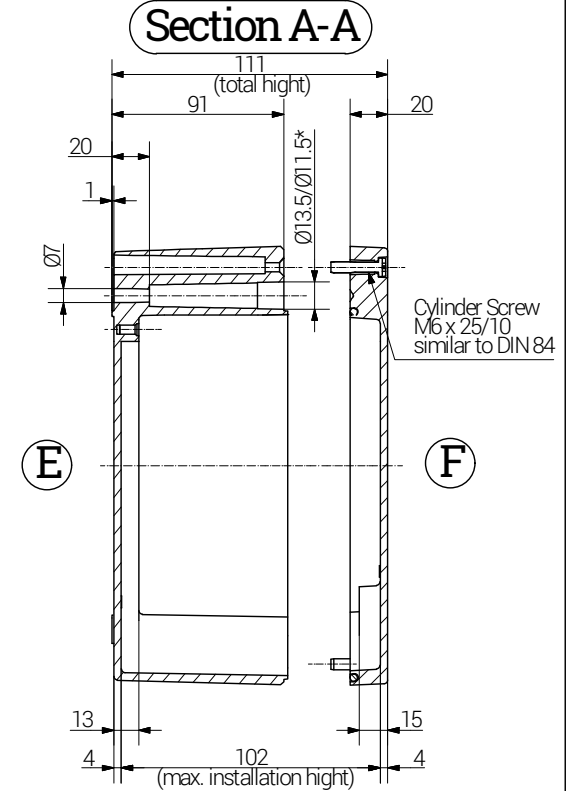
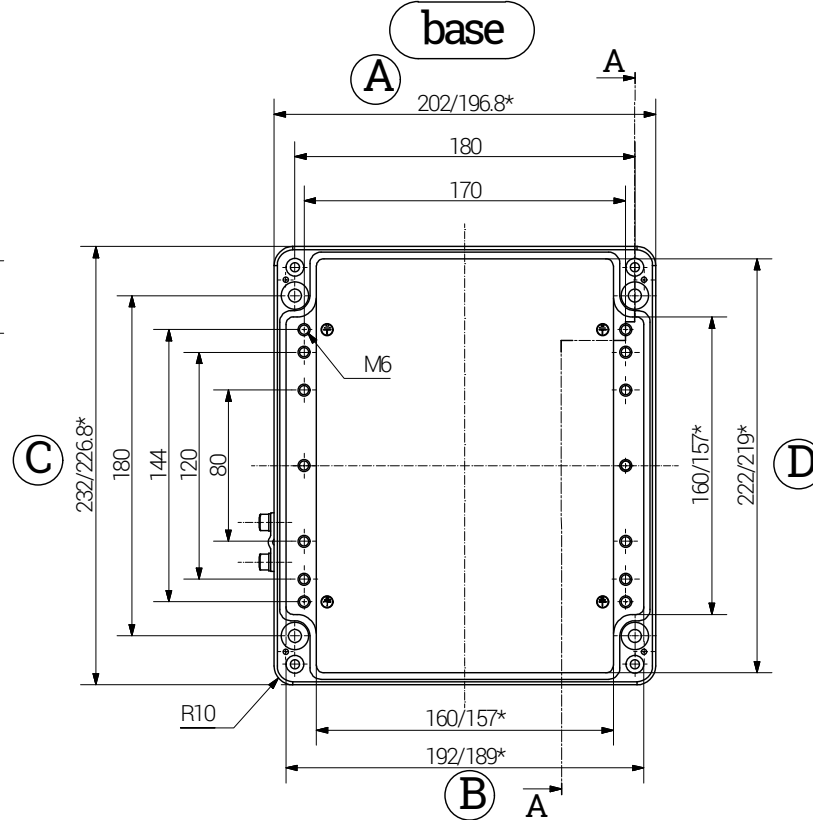
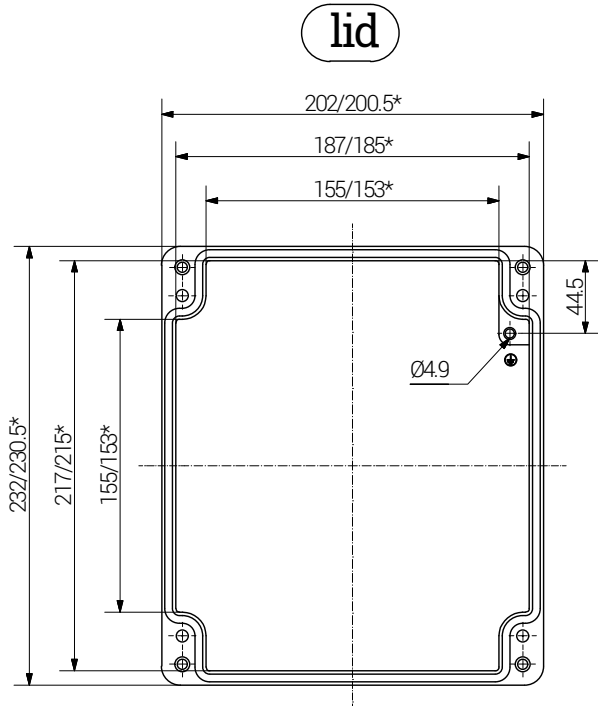



\*= Dimension reduced at bottom due to conical form.  
Tolerances to GTA 13/5 - DIN 1688.

Article		Length (mm)	Width (mm)	Height (mm)	DIN Rail for terminals		PE busbar	PE angle brackets	Mounting Plate galv. Sheet steel Thickness in mm	External Mounting Brackets Aluminium set	External Hinge pair	Internal Hinges pair
Ex e	Ex ia				TS 15	TS 35						
15 202311 000	16 202311 000	200	230	110	x	x	-	2	1.5	x	x	x



		<b>RST Rabe-System-Technik und Vertriebs-GmbH</b> Otto-Lilienthal-Strasse 19 49134 Wallenhorst ☎ +49 5407 8766-0 ☎ +49 5407 8766-99 ✉ info@rst.eu			Unless otherwise specified on the drawing: Metric Thread = EN 60423 PG Thread = DIN 40430 NPT Thread = ANSI B1.20.1 Tolerance: DIN ISO 2768-m All dimensions in mm.		Abusively use, in particular reproduction and dissemination to third parties is not permitted. You can be punished by civil law. Technical changes are reserved.	
		Date Draw. 12.06.2018 Appr. 12.06.2018 Norm Scale: 1:4 Material: Aluminium	Name SL KH	<h1>Enclosure</h1> <h2>200 x 230 x 110 mm</h2>		Drawing-Nr.: see table	1 of 1 A4 V70	
Status	Modification	Date	Name	Z:\Inventor\Gehäuse\Ex-Gehäuse-Aluminium\15202311000\Alu-Ex-Gehäuse-25-BG-0001-15_202311_000.idw				

Please note that the above representation is just a dimension illustration.