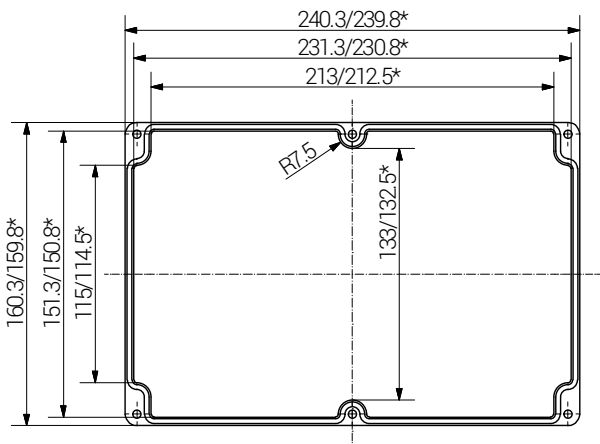
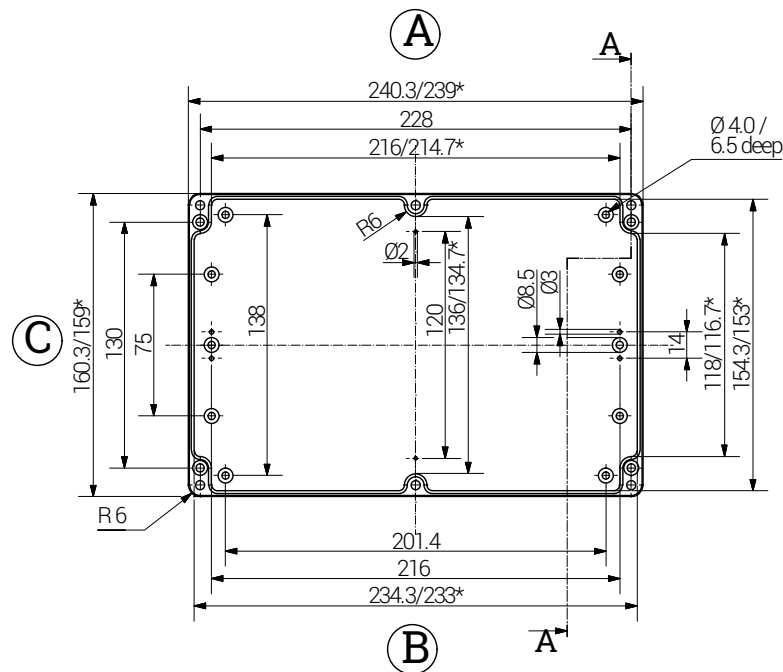


Article			Length (mm)	Width (mm)	Height (mm)	DIN Rail for Terminals		Mounting Plate Thickness in mm	External Mounting Brackets set	External Hinge Appr. 150°C PC pair
ABS	Polycarbonate	Polycarbonate with clear lid				TS 15	TS 35			
01 241609 010	02 241609 010	02 241609 045	240	160	90	x	x	2.5	x	x

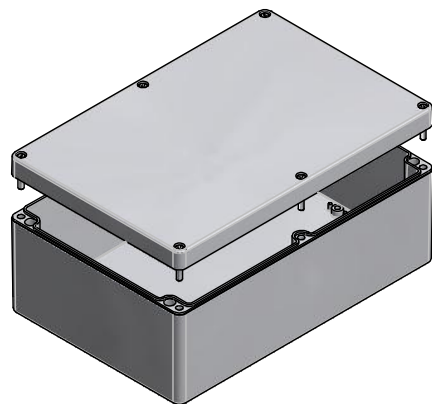
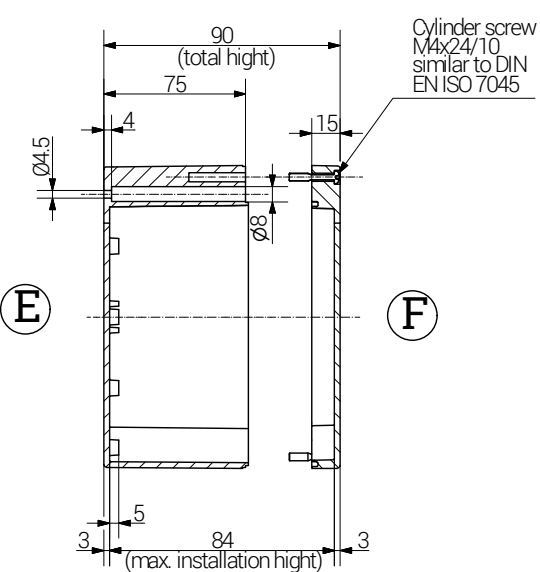
lid



base



Section A-A



*= Dimension reduced at bottom due to conical form.
Tolerances to DIN 16901-130.



RST Rabe-System-Technik und Vertriebs-GmbH
 Otto-Lilienthal-Strasse 19
 49134 Wallenhorst
 ☎ +49 5407 8766-0
 ☎ +49 5407 8766-99
 ✉ info@rst.eu

Unless otherwise specified on the drawing:
 Metric Thread = EN 60423
 PG Thread = DIN 40430
 NPT Thread = ANSI B1.20.1
 Tolerance: DIN ISO 2768-m
 All dimensions in mm.

Abusive use, in particular reproduction and dissemination to third parties is not permitted. You can be punished by civil law. Technical changes are reserved.

Date	Name
Draw. 28.05.2018	SL
Appr. 28.05.2018	KH
Norm	
Scale:	1:4
Material:	see table
Status	Modification
Date	Name

<h1 style="text-align: center;">Enclosure</h1> <h2 style="text-align: center;">240 x 160 x 90 mm</h2>		Drawing-Nr.:	see table	<div style="border: 1px solid black; padding: 5px; display: inline-block;"> 1 of 1 </div>
				V7

Weight: 650 g

Please note that the above representation is just a dimension illustration.

Z:\Inventor\Gehäuse\Gehäuse-ABS\01241609010\ABS-Gehäuse-26-BG-0001-01_241609_010.idw