

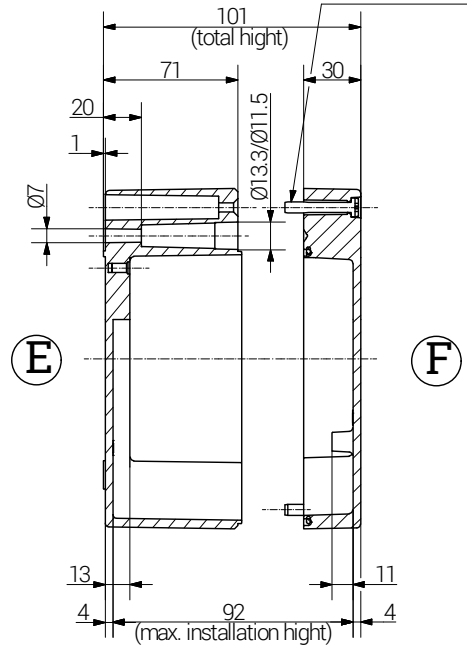
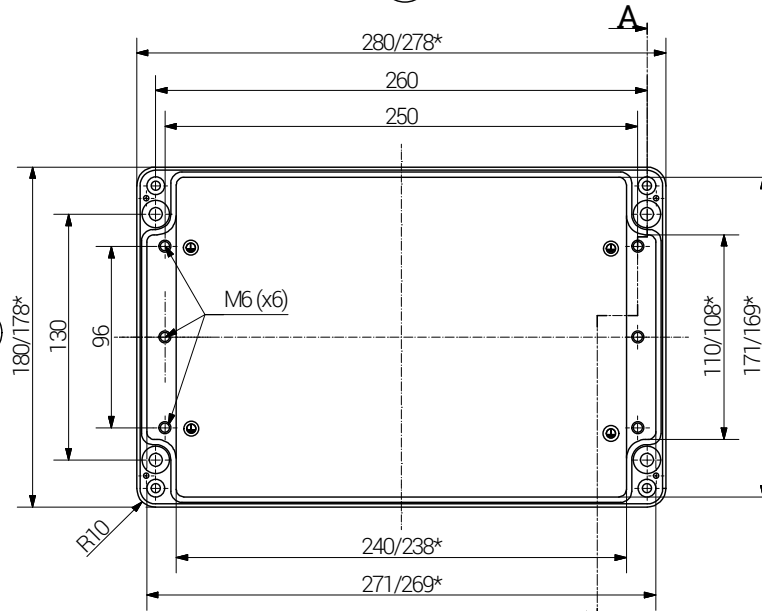
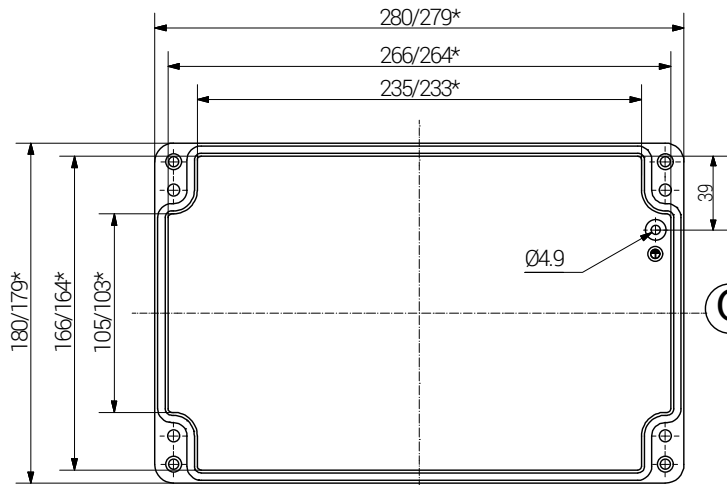
Article	Length (mm)	Width (mm)	Height (mm)	DIN Rail		Earthing Rail, number of clamping pieces	Mounting Plate galv. Sheet steel Thickness in mm	External Mounting Brackets in set	External Hinge in Aluminium PC pair	Internal Hinges  PC pair
				TS 15	TS 35					
09 281810 000	280	180	100	x	x	17	1.5	x	x	x

lid

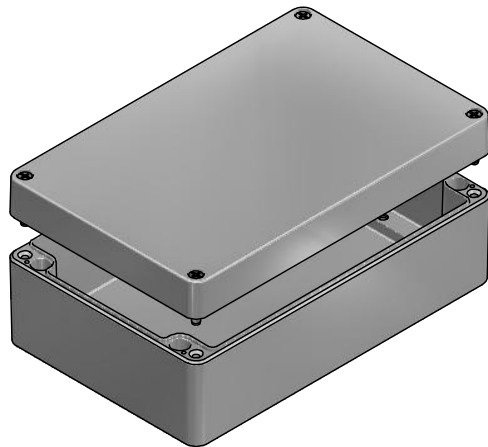
base

Section A-A

Cylinder Screw  
M6 x 35/10  
similar to DIN 84



\*= Dimension reduced at bottom due to conical form.  
Tolerances to GTA 13/5 - DIN 1688.



Weight: 2900 g



**RST Rabe-System-Technik und Vertriebs-GmbH**  
Otto-Lilienthal-Strasse 19  
49134 Wallenhorst  
☎ +49 5407 8766-0  
☎ +49 5407 8766-99  
✉ info@rst.eu

Unless otherwise specified on the drawing:  
Metric Thread = EN 60423  
PG Thread = DIN 40430  
NPT Thread = ANSI B1.20.1  
Tolerance: DIN ISO 2768-m  
All dimensions in mm.

Abusively use, in particular reproduction and dissemination to third parties is not permitted. You can be punished by civil law. Technical changes are reserved.

Status	Modification	Date	Name	Date	Name
				Draw.	30.05.2018 SL
				Appr.	30.05.2018 KH
				Norm	
				Scale:	1:4
				Material:	Aluminium

<b>Enclosure</b>	
<b>280 x 180 x 100 mm</b>	
Drawing-Nr.:	09 281810 000
	1 of 1
	A4
	V9

Status Modification Date Name Z:\Inventor\Gehäuse\Gehäuse-Aluminium\09281810000\Alu-Gehäuse-26-BG-0001-09\_281810\_000.idw

Please note that the above representation is just a dimension illustration.