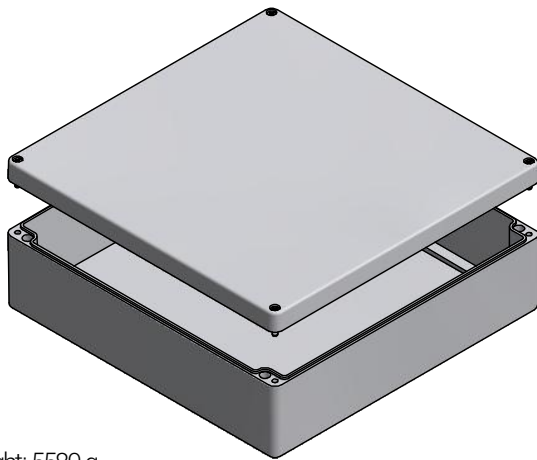
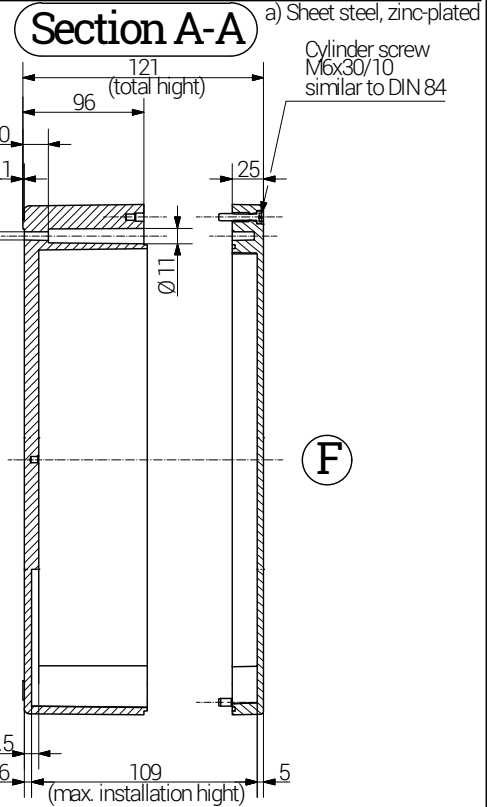
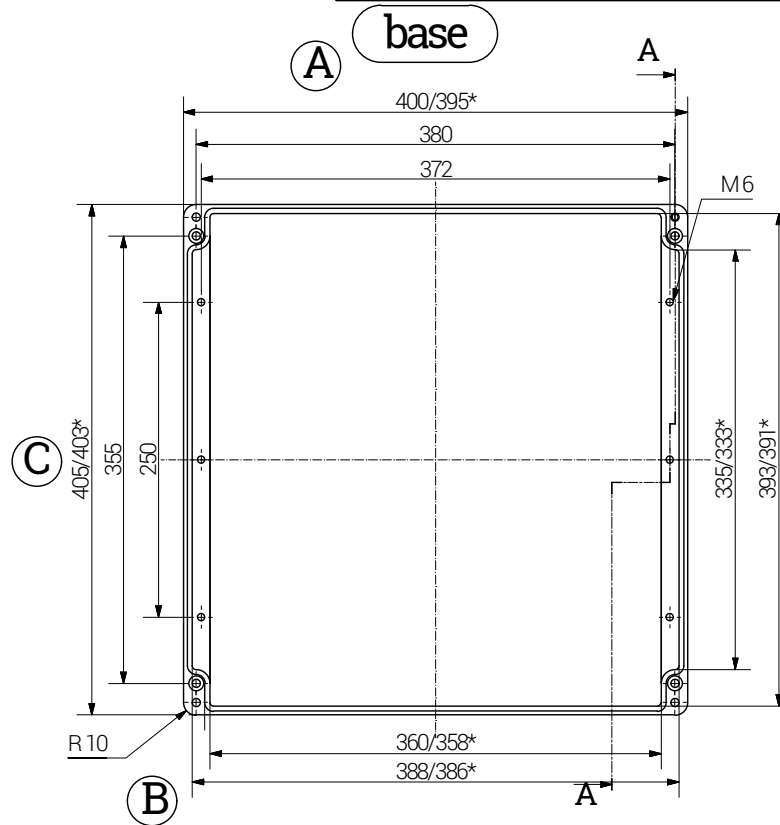
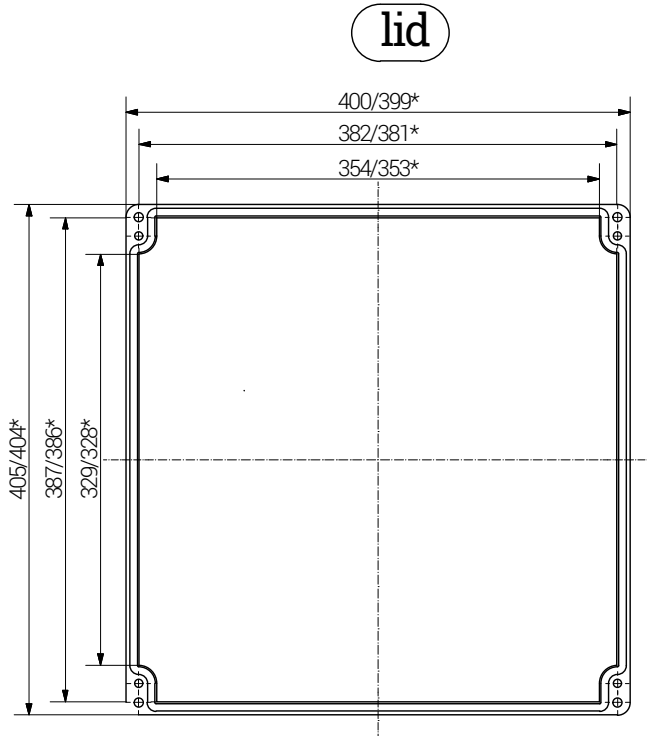


*= Dimension reduced at bottom due to conical form
Tolerances to DIN 16901-130.

Article	Length (mm)	Width (mm)	Height (mm)	DIN Rail for Terminals		Mounting Plate Thickness in mm	External Mounting Brackets in Stainless Steel set	External Hinge in Aluminium pair
				TS 15	TS 35			
07 404112 010	400	405	120	x	x	2.0 ^{a)}	x	x



Weight: 5580 g

		RST Rabe-System-Technik und Vertriebs-GmbH Otto-Lilienthal-Strasse 19 49134 Wallenhorst ☎ +49 5407 8766-0 ☎ +49 5407 8766-99 ✉ info@rst.eu		Unless otherwise specified on the drawing: Metric Thread = EN 60423 PG Thread = DIN 40430 NPT Thread = ANSI B1.20.1 Tolerance: DIN ISO 2768-m All dimensions in mm.		Abusively use, in particular reproduction and dissemination to third parties is not permitted. You can be punished by civil law. Technical changes are reserved.	
		Date Draw. 29.05.2018 Appr. 29.05.2018 Norm Scale: 1:6 Material: Polyester	Name SL KH	<h1>Enclosure</h1> <h2>400 x 405 x 120 mm</h2>		Drawing-Nr.: 07 404112 010	1 of 1 A4 V4
Status	Modification	Date	Name	Z:\Inventor\Gehäuse\Gehäuse-Polyester\07_404112_010\Polyester-Gehäuse-26-BG-0001-07_404112_010.idw			

Please note that the above representation is just a dimension illustration.