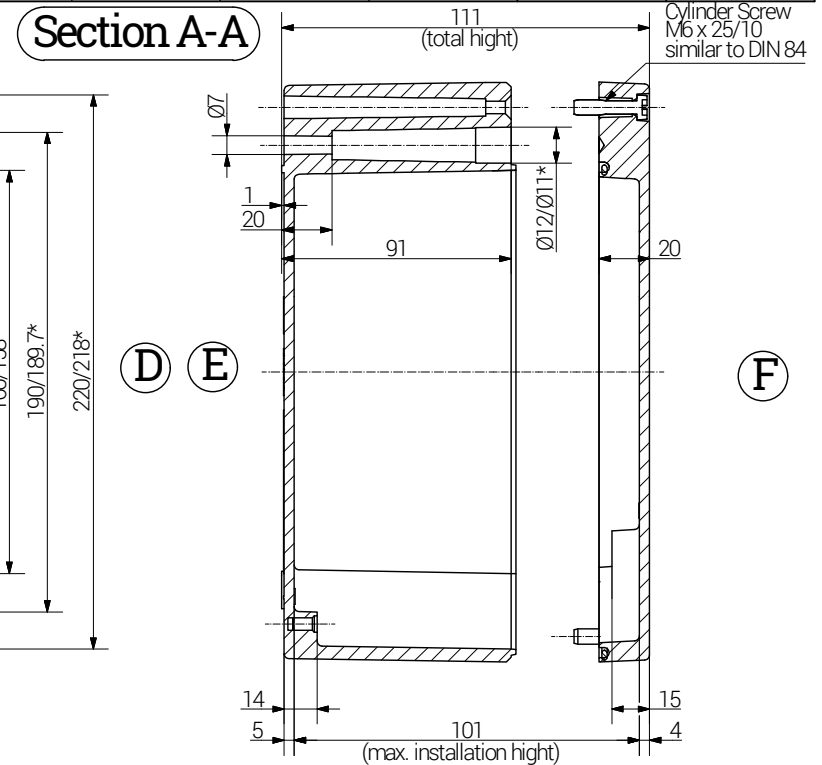
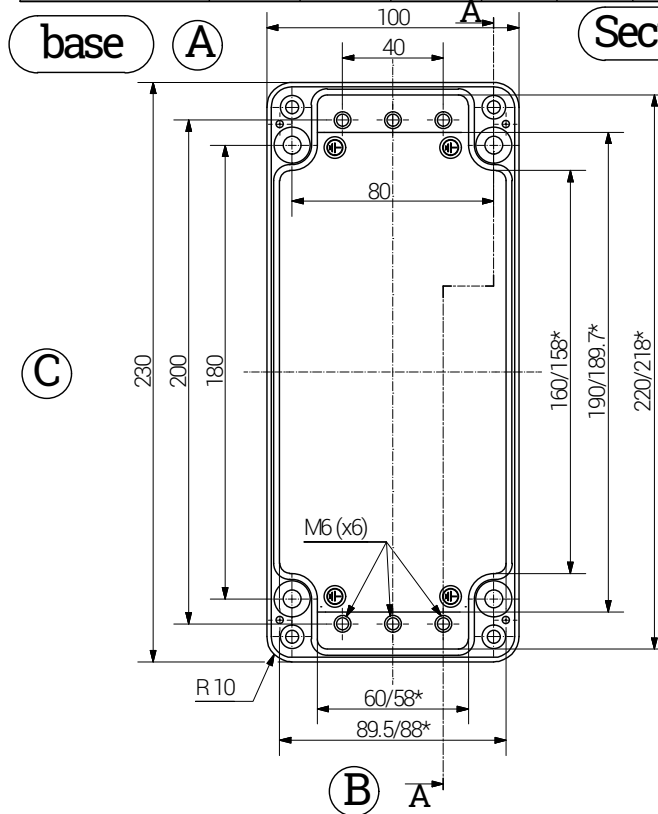
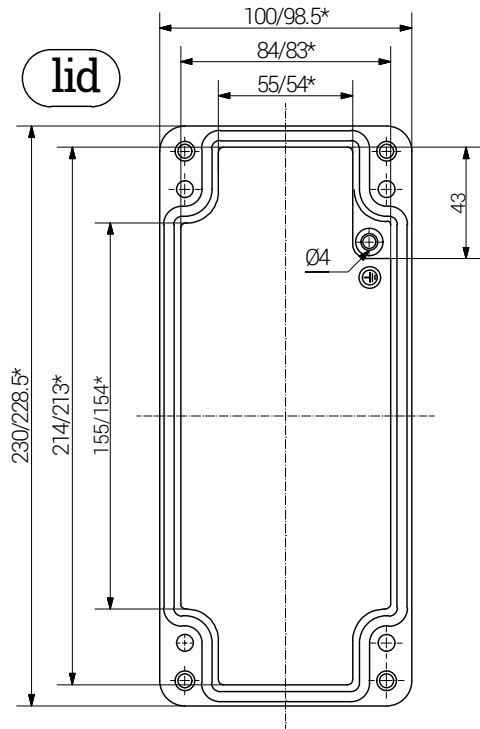
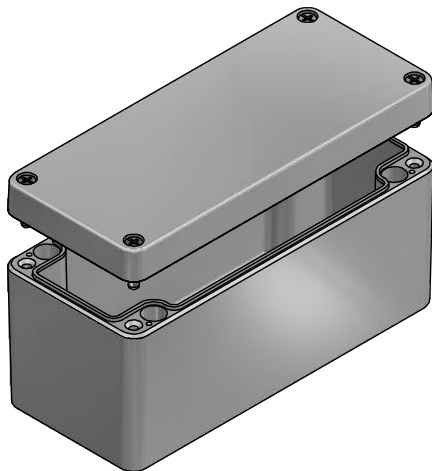


| Article | Length (mm) | Width (mm) | Height (mm) | DIN Rail | | Earthing Rail, number of clamping pieces | Mounting Plate galv. Sheet steel Thickness in mm | External Mounting Brackets in set | External Hinge in Aluminium PC pair | Internal Hinges PC pair |
|---------------|----------------|---------------|----------------|----------|-------|---|--|--|--|--------------------------------------|
| | | | | TS 15 | TS 35 | | | | | |
| 09 231011 000 | 230 | 100 | 110 | x | x | - | 1.5 | x | x | - |




Cylinder Screw
M6 x 25/10
similar to DIN 84

*= Dimension reduced at bottom due to conical form
Tolerances to GTA 13/5 - DIN 1688.



Weight: 1780 g

| | | | | | | | | | | |
|---|--------------|--|------|--|--|--|--|---|----------------------------|--|
|  | | RST Rabe-System-Technik und Vertriebs-GmbH Otto-Lilienthal-Strasse 19 49134 Wallenhorst ☎ +49 5407 8766-0 ☎ +49 5407 8766-99 ✉ info@rst.eu | | | Unless otherwise specified on the drawing: Metric Thread = EN 60423 PG Thread = DIN 40430 NPT Thread = ANSI B1.20.1 Tolerance: DIN ISO 2768-m All dimensions in mm. | | | Abusively use, in particular reproduction and dissemination to third parties is not permitted. You can be punished by civil law. Technical changes are reserved. | | |
| | | Date Draw. 31.05.2018 Appr. 31.05.2018 Norm Scale: 1:3 Material: Aluminium | | Name SL KH | | <h2 style="text-align: center;">Enclosure</h2> <h3 style="text-align: center;">230 x 100 x 110 mm</h3> | | | Drawing-Nr.: 09 231011 000 | |
| Status | Modification | Date | Name | Z:\Inventor\Gehäuse\Gehäuse-Aluminium\09231011000\Alu-Gehäuse-27-BG-0001-09_231011_000.idw | | | | | A4 V70 | |

Please note that the above representation is just a dimension illustration.