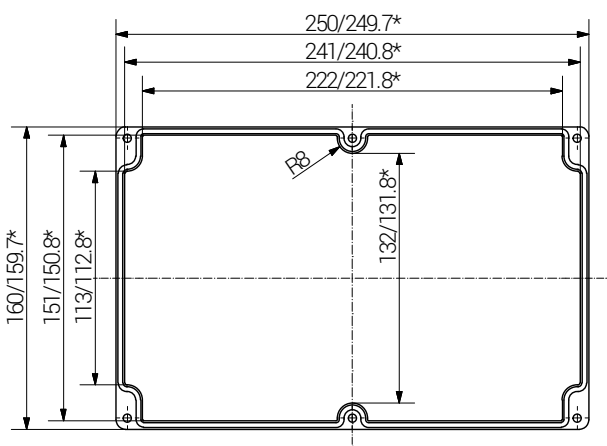
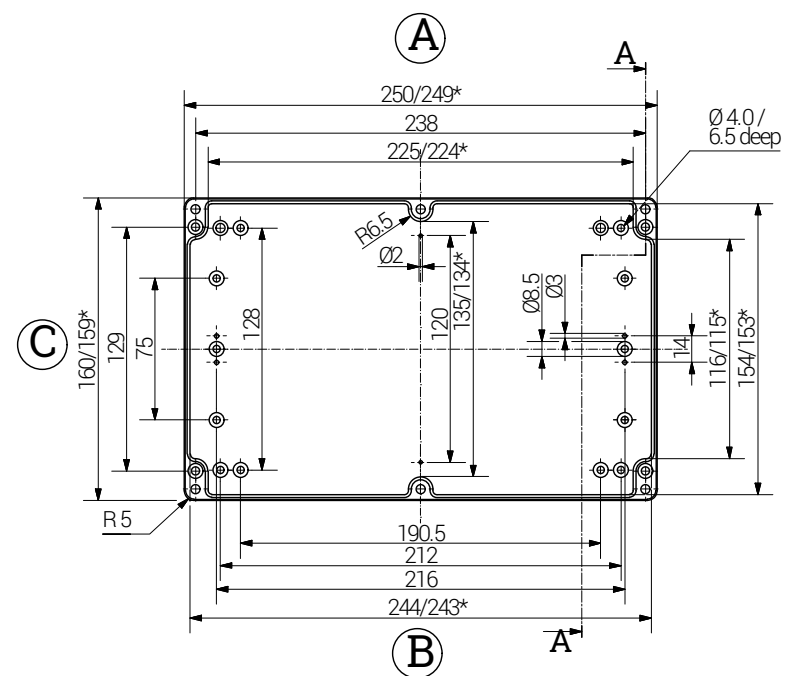


Article			Length (mm)	Width (mm)	Height (mm)	DIN Rail for Terminals		Mounting Plate Thickness in mm	External Mounting Brackets set	External Hinge Appr. 150°C PC pair
ABS	Polycarbonate	Polycarbonate with clear lid				TS 15	TS 35			
01 251609 010	02 251609 010	02 251609 045	250	160	90	x	x	2.5	x	x

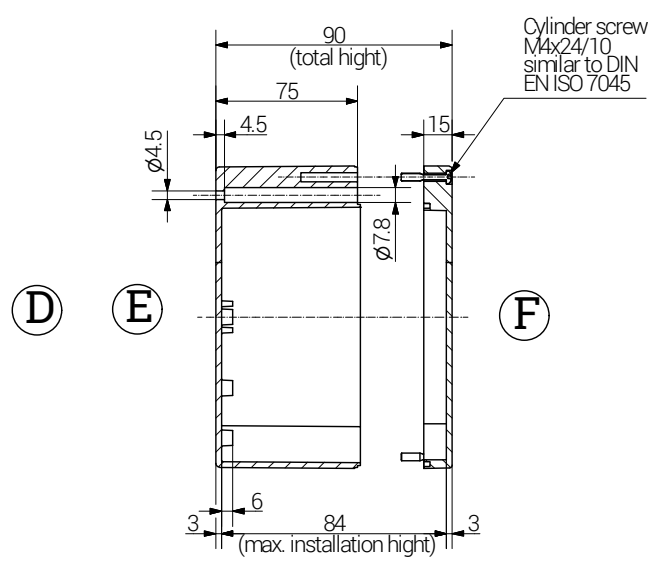
lid



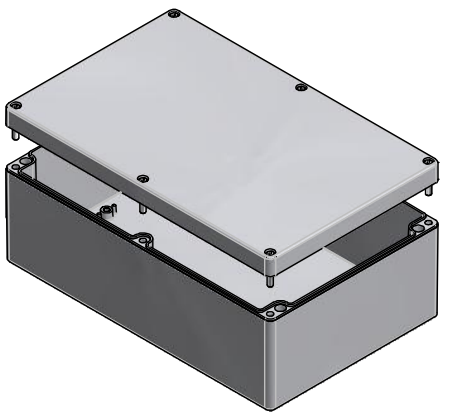
base




Section A-A



*= Dimension reduced at bottom due to conical form.
Tolerances to DIN 16901-130.



		RST Rabe-System-Technik und Vertriebs-GmbH Otto-Lilienthal-Strasse 19 49134 Wallenhorst ☎ +49 5407 8766-0 ☎ +49 5407 8766-99 ✉ info@rst.eu			Unless otherwise specified on the drawing: Metric Thread = EN 60423 PG Thread = DIN 40430 NPT Thread = ANSI B1.20.1 Tolerance: DIN ISO 2768-m All dimensions in mm.			Abusively use, in particular reproduction and dissemination to third parties is not permitted. You can be punished by civil law. Technical changes are reserved.		
		Date	Name		<h1>Enclosure</h1> <h2>250 x 160 x 90 mm</h2>			Drawing-Nr.: see table		<div style="font-size: 2em; font-weight: bold;">1</div> of 1 A4 V12
Draw.	28.05.2018	SL								
Appr.	28.05.2018	KH								
Norm										
Scale:	1:4									
Material:	see table									
Status	Modification	Date	Name	Z:\Inventor\Gehäuse\Gehäuse-ABS\01251609010\ABS-Gehäuse-28-BG-0001-01_251609_010.idw						

Weight: 670 g

Please note that the above representation is just a dimension illustration.