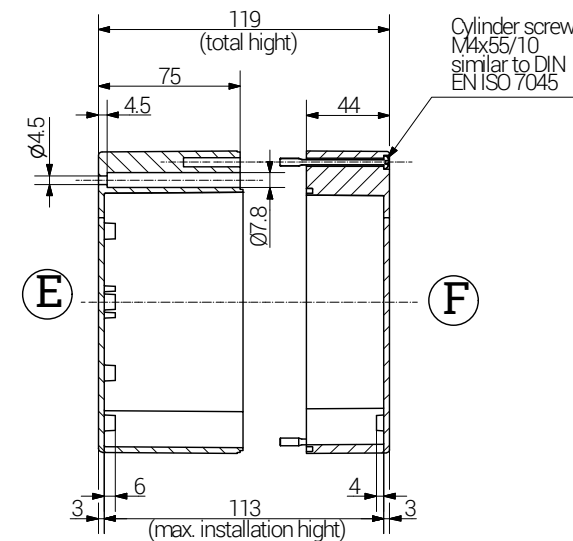
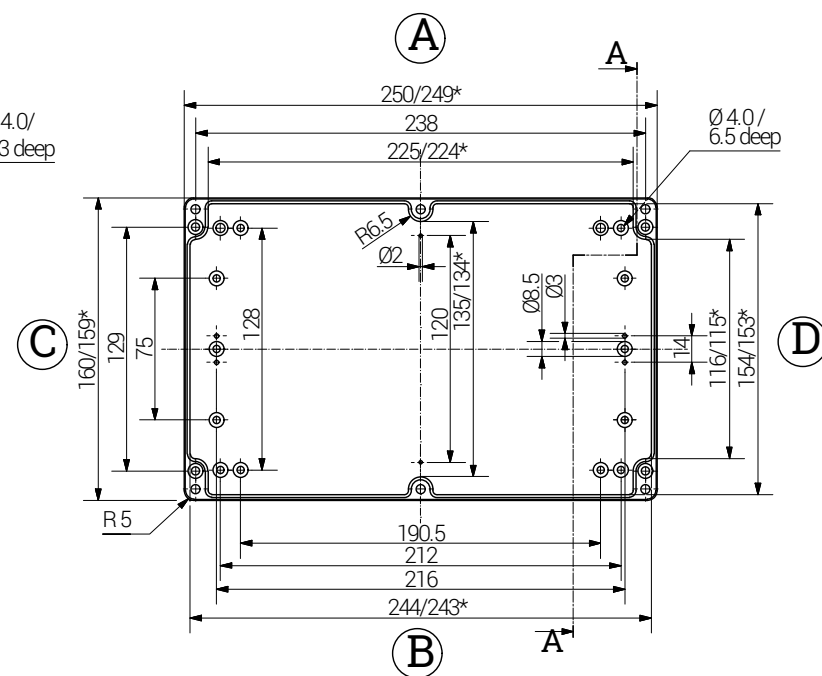
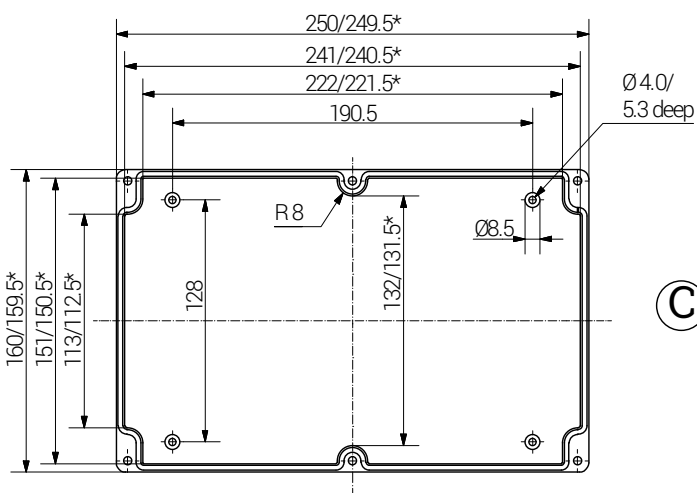


Article			Length (mm)	Width (mm)	Height (mm)	DIN Rail for Terminals		Mounting Plate Thickness in mm	External Mounting Brackets set	External Hinge Appr. 150°C PC pair
ABS	Polycarbonate	Polycarbonate with clear lid				TS 15	TS 35			
01 251612.010	02 251612.010	-	250	160	120	x	x	2.5	x	x

lid

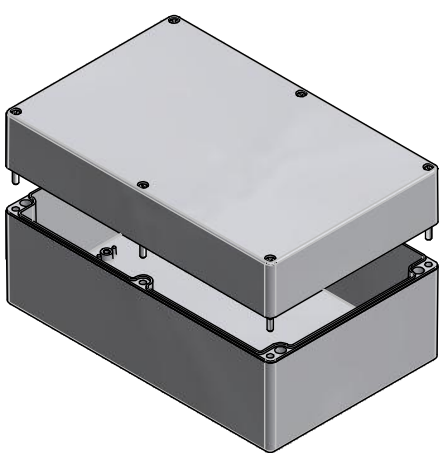
base

Section A-A




Cylinder screw
M4x55/10
similar to DIN
EN ISO 7045

*= Dimension reduced at bottom due to conical form.
Tolerances to DIN 16901-130.



Weight: 800 g

		RST Rabe-System-Technik und Vertriebs-GmbH Otto-Lilienthal-Strasse 19 49134 Wallenhorst ☎ +49 5407 8766-0 ☎ +49 5407 8766-99 ✉ info@rst.eu			Unless otherwise specified on the drawing: Metric Thread = EN 60423 PG Thread = DIN 40430 NPT Thread = ANSI B1.20.1 Tolerance: DIN ISO 2768-m All dimensions in mm.		Abusively use, in particular reproduction and dissemination to third parties is not permitted. You can be punished by civil law. Technical changes are reserved.															
		<table border="1"> <thead> <tr> <th>Date</th> <th>Name</th> </tr> </thead> <tbody> <tr> <td>Draw. 28.05.2018</td> <td>SL</td> </tr> <tr> <td>Appr. 28.05.2018</td> <td>KH</td> </tr> <tr> <td>Norm</td> <td></td> </tr> <tr> <td>Scale:</td> <td>1:4</td> </tr> <tr> <td>Material:</td> <td>see table</td> </tr> </tbody> </table>	Date	Name	Draw. 28.05.2018	SL	Appr. 28.05.2018	KH	Norm		Scale:	1:4	Material:	see table	Drawing-Nr.: see table		<table border="1"> <tr> <td>1</td> <td>of 1</td> </tr> <tr> <td>A4</td> <td></td> </tr> <tr> <td>V76</td> <td></td> </tr> </table>		1	of 1	A4	
Date	Name																					
Draw. 28.05.2018	SL																					
Appr. 28.05.2018	KH																					
Norm																						
Scale:	1:4																					
Material:	see table																					
1	of 1																					
A4																						
V76																						
Status	Modification	Date	Name	Z:\Inventor\Gehäuse\Gehäuse-ABS\01251612010\ABS-Gehäuse-29-BG-0001-01_241612_010.idw																		

Please note that the above representation is just a dimension illustration.