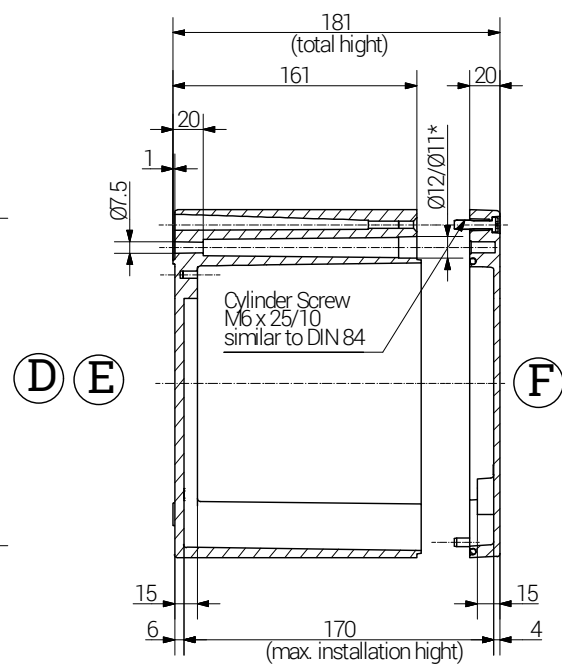
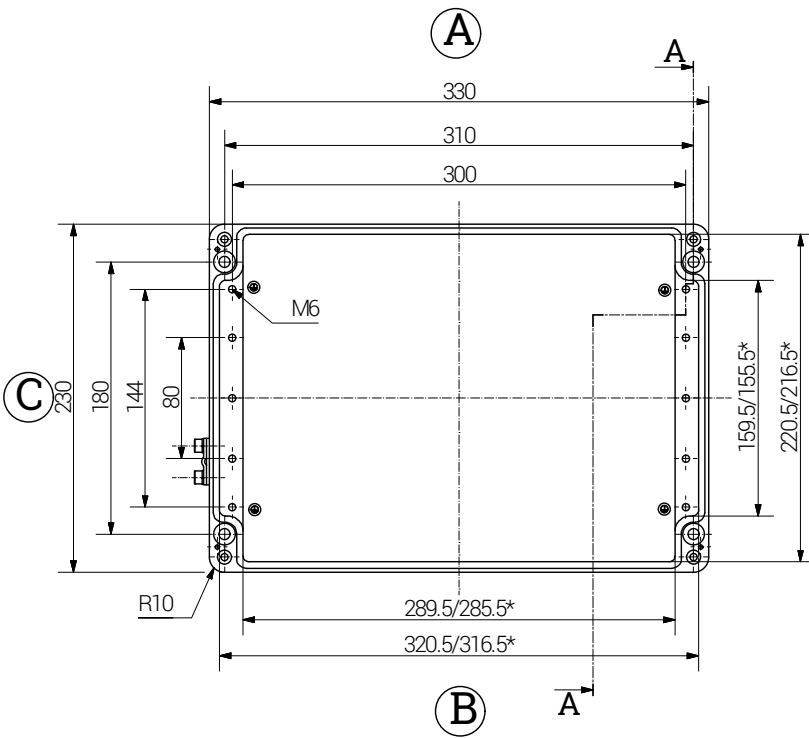
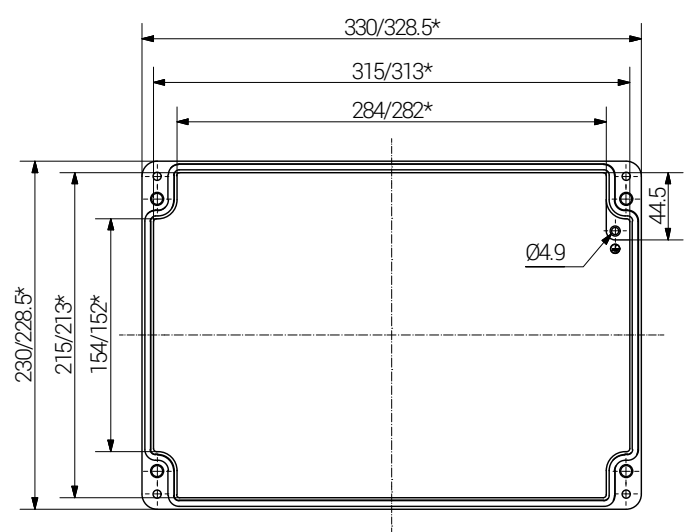


Article		Length (mm)	Width (mm)	Height (mm)	DIN Rail for terminals		PE busbar	PE angle brackets	Mounting Plate galv. Sheet steel Thickness in mm	External Mounting Brackets	External Hinge	Internal Hinges
Ex e	Ex ia				Aluminium set	pair				pair		
15 332318 000	16 332318 000	330	230	180	TS 15	TS 35	1	-	2.0	x	x	x

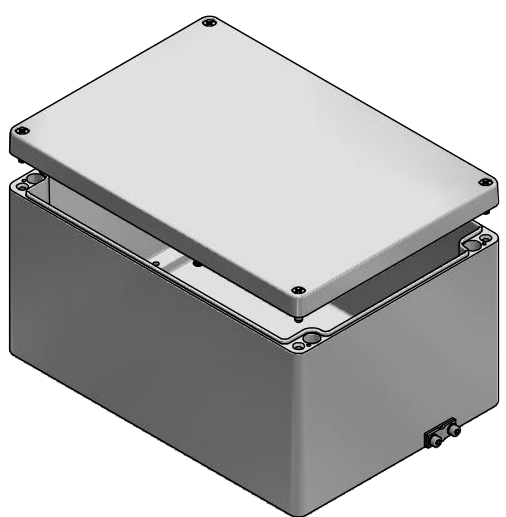
lid


base

Section A-A



\*= Dimension reduced at bottom due to conical form  
Tolerances to GTA 13/5 - DIN 1688.



		<b>RST Rabe-System-Technik und Vertriebs-GmbH</b> Otto-Lilienthal-Strasse 19 49134 Wallenhorst ☎ +49 5407 8766-0 ☎ +49 5407 8766-99 ✉ info@rst.eu			Unless otherwise specified on the drawing: Metric Thread = EN 60423 PG Thread = DIN 40430 NPT Thread = ANSI B1.20.1 Tolerance: DIN ISO 2768-m All dimensions in mm.		Abusively use, in particular reproduction and dissemination to third parties is not permitted. You can be punished by civil law. Technical changes are reserved.	
		Date Draw. 12.06.2018 Appr. 12.06.2018 Norm Scale: 1:5 Material: Aluminium	Name SL KH	<h1>Enclosure</h1> <h2>330 x 230 x 180 mm</h2>		Drawing-Nr.: see table	1 of 1 A4 V7	
Status	Modification	Date	Name	Z:\Inventor\Gehäuse\Ex-Gehäuse-Aluminium\15332318000\Alu-Ex-Gehäuse-29-BG-0001-15_332318_000.idw				

Please note that the above representation is just a dimension illustration.