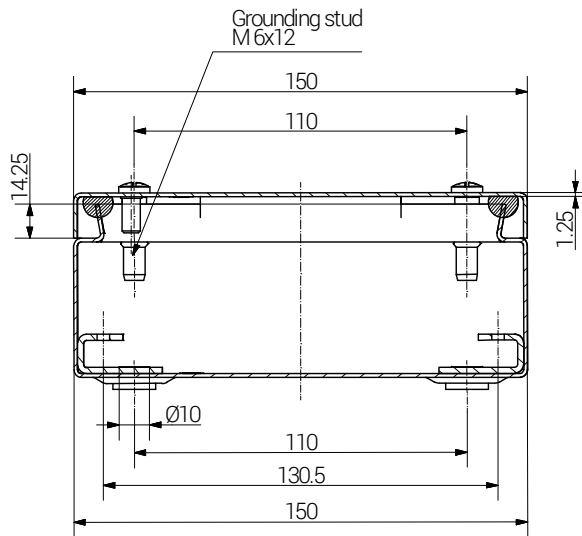


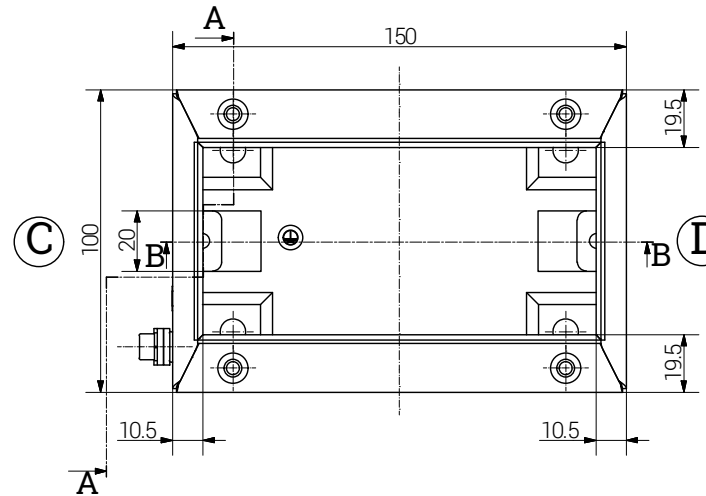
Article		Length	Width	Height	External Mounting Brackets	External Hinge
Ex e	Ex ia	(mm)	(mm)	(mm)	Aluminium set	pair
21 151006 000	22 151006 000	150	100	61	x	x

**Section B-B**

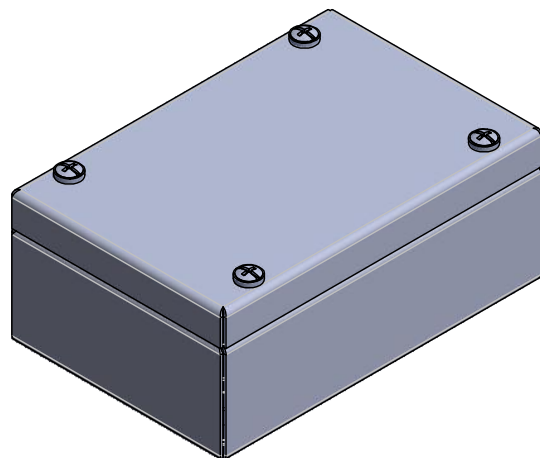
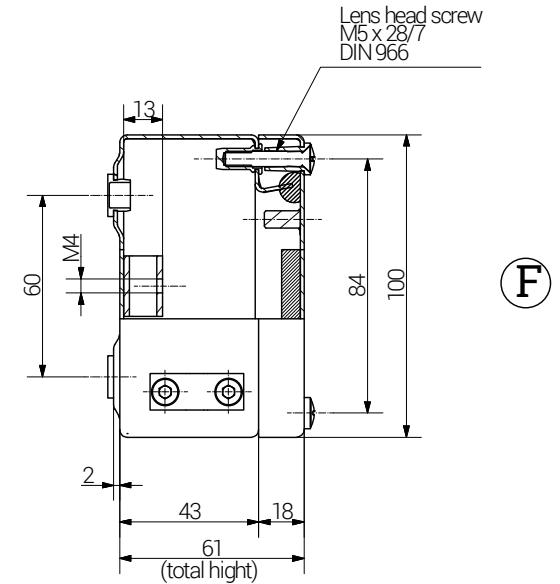


**base**


(A)



**Section A-A**



(B)

		<b>RST Rabe-System-Technik und Vertriebs-GmbH</b> Otto-Lilienthal-Strasse 19 49134 Wallenhorst ☎ +49 5407 8766-0 📠 +49 5407 8766-99 ✉ info@rst.eu		Unless otherwise specified on the drawing: Metric Thread = EN 60423 PG Thread = DIN 40430 NPT Thread = ANSI B1.20.1 Tolerance: DIN ISO 2768-m All dimensions in mm.		Abusively use, in particular reproduction and dissemination to third parties is not permitted. You can be punished by civil law. Technical changes are reserved.																									
		<table border="1"> <thead> <tr> <th></th> <th>Date</th> <th>Name</th> </tr> </thead> <tbody> <tr> <td>Draw.</td> <td>12.06.2018</td> <td>SL</td> </tr> <tr> <td>Appr.</td> <td>12.06.2018</td> <td>KH</td> </tr> <tr> <td>Norm</td> <td></td> <td></td> </tr> <tr> <td>Scale:</td> <td></td> <td>1:2,5</td> </tr> <tr> <td>Material:</td> <td colspan="2">Stainless Steel</td> </tr> </tbody> </table>			Date	Name	Draw.	12.06.2018	SL	Appr.	12.06.2018	KH	Norm			Scale:		1:2,5	Material:	Stainless Steel		<b>Enclosure</b> <b>150 x 100 x 61 mm</b>		Drawing-Nr.: see table		<table border="1"> <tr> <td>1</td> <td>of 1</td> </tr> <tr> <td>A4</td> <td></td> </tr> <tr> <td>V70</td> <td></td> </tr> </table>		1	of 1	A4	
	Date	Name																													
Draw.	12.06.2018	SL																													
Appr.	12.06.2018	KH																													
Norm																															
Scale:		1:2,5																													
Material:	Stainless Steel																														
1	of 1																														
A4																															
V70																															
Status	Modification	Date	Name	Z:\Inventor\Gehäuse\Ex-Gehäuse-Edelstahl\21151006000\Ex-Edelstahl-Gehäuse-02-BG-0001-21151006000.rdw																											

Please note that the above representation is just a dimension illustration.