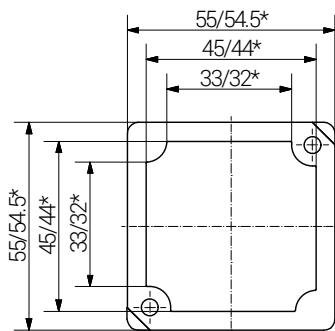
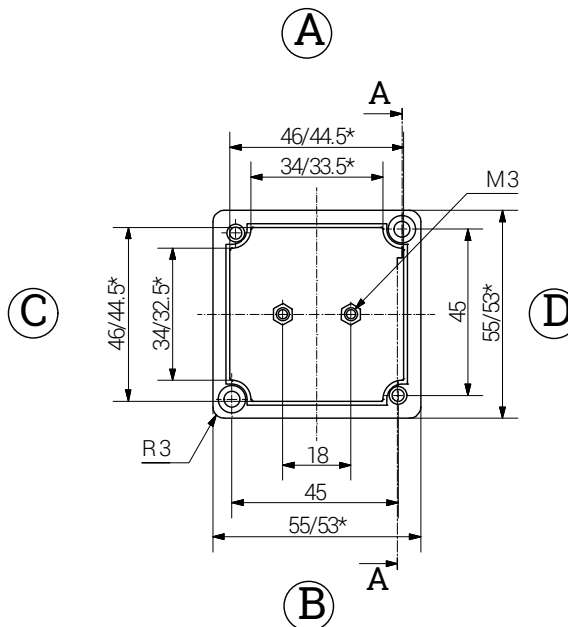


Article	Length (mm)	Width (mm)	Height (mm)	DIN Rail for Terminals		Mounting Plate Thickness in mm	External Mounting Brackets in Stainless Steel set	External Hinge in Aluminium pair
				TS 15	TS 35			
07 060606 010	55	55	59	-	-	-	-	-

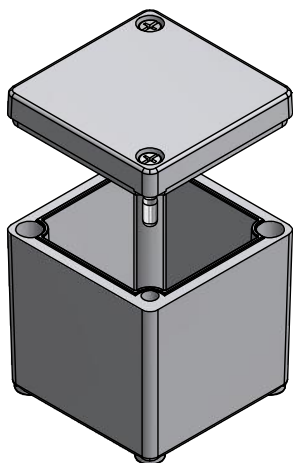
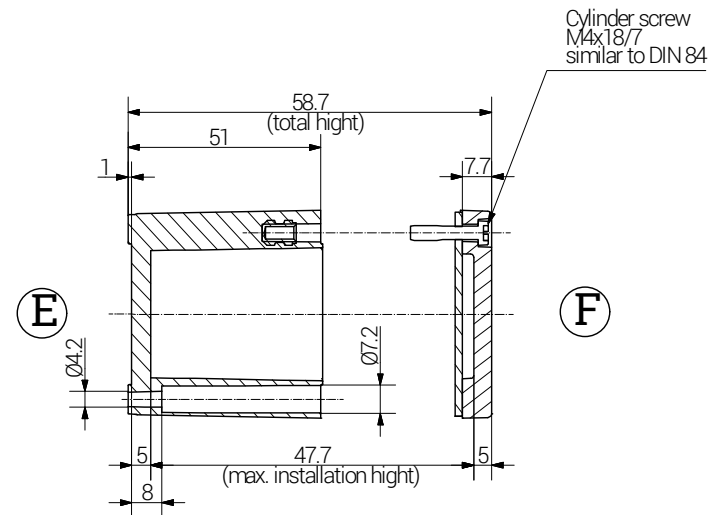
lid



base



Section A-A



*= Dimension reduced at bottom due to conical form
Tolerances to DIN 16901-130.



RST Rabe-System-Technik und Vertriebs-GmbH
Otto-Lilienthal-Strasse 19
49134 Wallenhorst
☎ +49 5407 8766-0
☎ +49 5407 8766-99
✉ info@rst.eu

Unless otherwise specified on the drawing:
Metric Thread = EN 60423
PG Thread = DIN 40430
NPT Thread = ANSI B1.20.1
Tolerance: DIN ISO 2768-m
All dimensions in mm.

Abusively use, in particular reproduction and dissemination to third parties is not permitted. You can be punished by civil law. Technical changes are reserved.

				Date	Name	<h1>Enclosure</h1> <h2>55 x 55 x 59 mm</h2>					
				Draw.	29.05.2018				SL	Drawing-Nr.: <h3>07 060606 010</h3>	
				Appr.	29.05.2018				KH		
				Norm							
				Scale:					1:2		
				Material:	Polyester		<div style="font-size: 2em; font-weight: bold;">1</div> of <div style="font-size: 2em; font-weight: bold;">1</div>				
Status	Modification	Date	Name	Z:\Inventor\Gehäuse\Gehäuse-Polyester\07_060606_010\Polyester-Gehäuse-02-BG-0001-07_060606_010.idw				A4			
								V21			

Weight: 130 g

Please note that the above representation is just a dimension illustration.