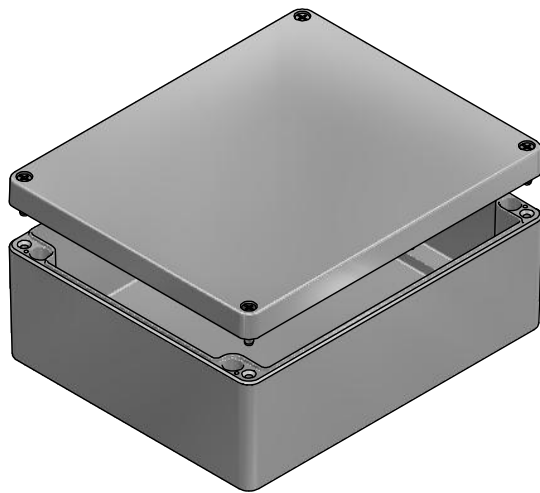
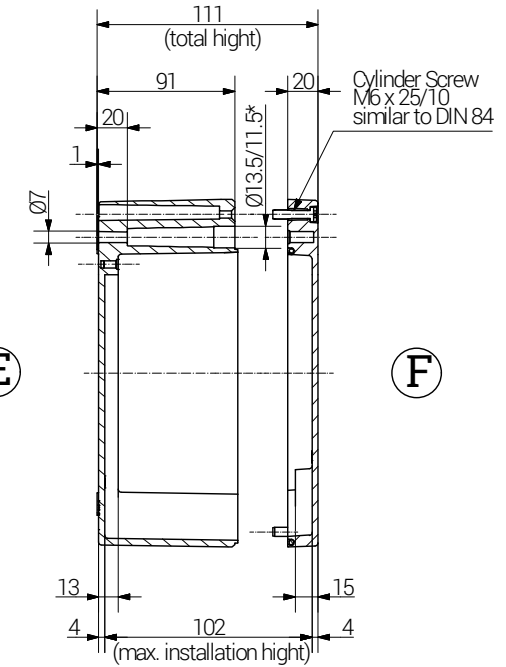
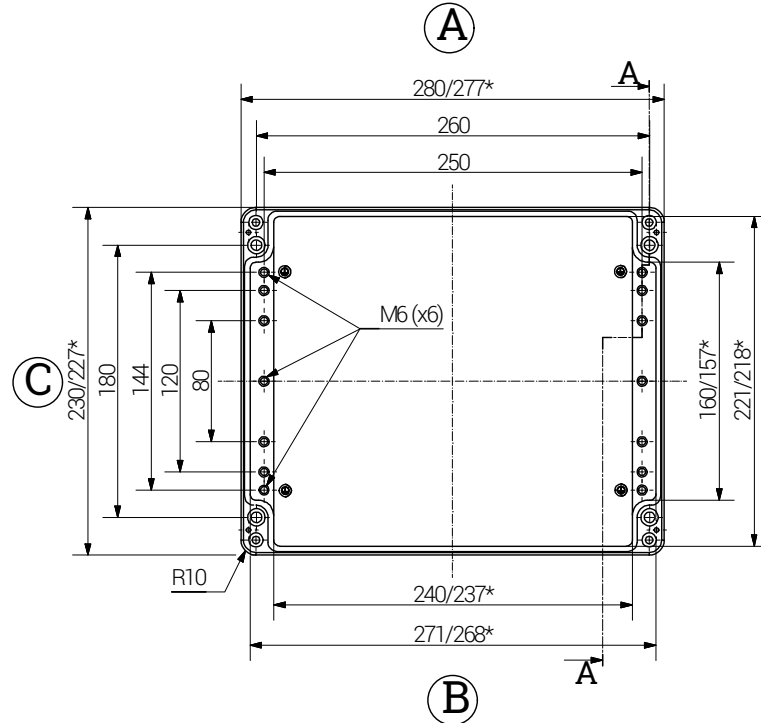
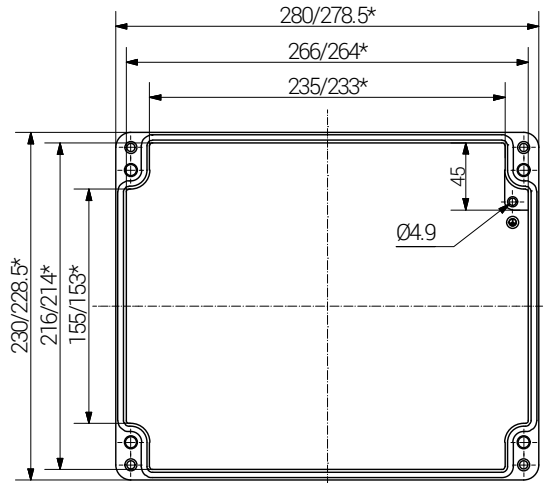


Article	Length (mm)	Width (mm)	Height (mm)	DIN Rail		Earthing Rail, number of clamping pieces	Mounting Plate galv. Sheet steel Thickness in mm	External Mounting Brackets in set	External Hinge in Aluminium PC pair	Internal Hinges  PC pair
				TS 15	TS 35					
09 282311 000	280	230	110	x	x	16	1.5	x	x	x

lid

base

Section A-A



\*= Dimension reduced at bottom due to conical form  
Tolerances to GTA 13/5 - DIN 1688.



**RST Rabe-System-Technik und Vertriebs-GmbH**  
 Otto-Lilienthal-Strasse 19  
 49134 Wallenhorst  
 ☎ +49 5407 8766-0  
 ☎ +49 5407 8766-99  
 ✉ info@rst.eu

Unless otherwise specified on the drawing:  
 Metric Thread = EN 60423  
 PG Thread = DIN 40430  
 NPT Thread = ANSI B1.20.1  
 Tolerance: DIN ISO 2768-m  
 All dimensions in mm.

Abusively use, in particular reproduction and dissemination to third parties is not permitted. You can be punished by civil law. Technical changes are reserved.

Date	Name
Draw. 31.05.2018	SL
Appr. 31.05.2018	KH
Norm	
Scale:	1:5
Material:	Aluminium

<b>Enclosure 280 x 230 x 180 mm</b>	
Drawing-Nr.:	09 282311 000
1	of 1
A4	V7

Status Modification Date Name Z:\Inventor\Gehäuse\Gehäuse-Aluminium\09282311000\Alu-Gehäuse-30-BG-0001-09\_282311\_000.idw

Weight: 2970 g

Please note that the above representation is just a dimension illustration.