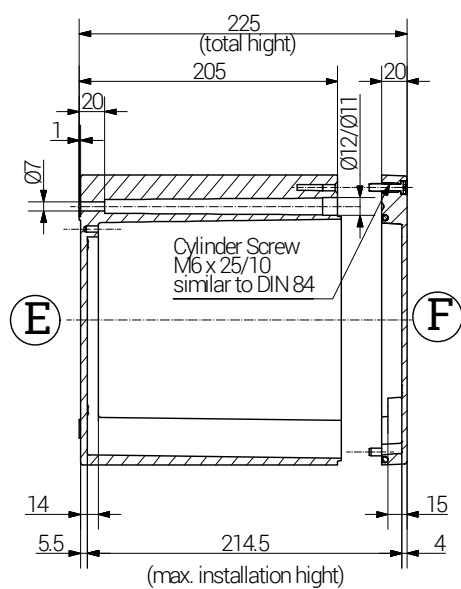
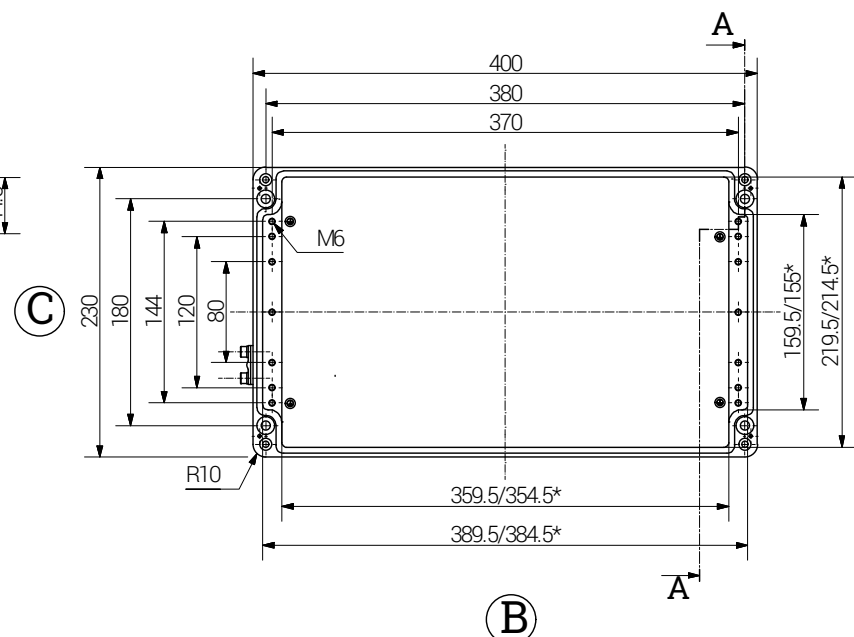
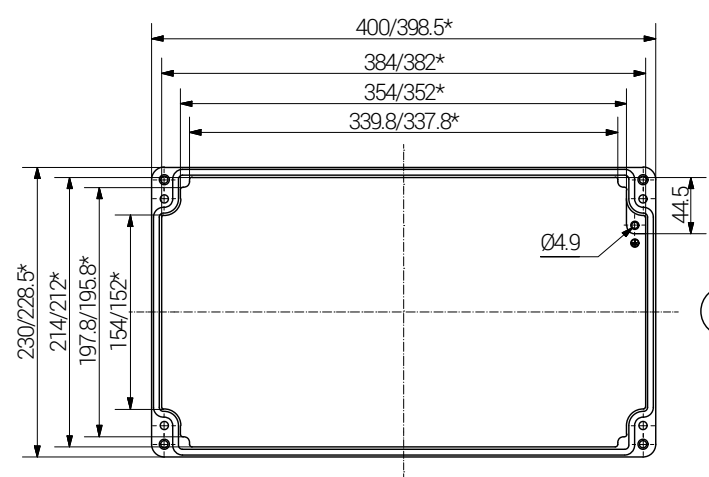


Article		Length (mm)	Width (mm)	Height (mm)	DIN Rail for terminals		PE busbar	PE angele brackets	Mounting Plate galv. Sheet steel Thickness in mm	External Mounting Brackets	External Hinge	Internal Hinges
Ex e	Ex ia				TS 15	TS 35						
15 402323 000	16 402323 000	400	230	224	X	X	1	-	2.0	Aluminium set	pair	pair


lid

base

Section A-A



*= Dimension reduced at bottom due to conical form
Tolerances to GTA 13/5 - DIN 1688.

		RST Rabe-System-Technik und Vertriebs-GmbH Otto-Lilienthal-Strasse 19 49134 Wallenhorst ☎ +49 5407 8766-0 ☎ +49 5407 8766-99 ✉ info@rst.eu			Unless otherwise specified on the drawing: Metric Thread = EN 60423 PG Thread = DIN 40430 NPT Thread = ANSI B1.20.1 Tolerance: DIN ISO 2768-m All dimensions in mm.			Abusively use, in particular reproduction and dissemination to third parties is not permitted. You can be punished by civil law. Technical changes are reserved.		
		Draw.	12.06.2018	SL	Date	Name		<h1>Enclosure</h1> <h2>400 x 230 x 224 mm</h2>		
Appr.	12.06.2018	KH	Scale:	1:6						
Norm			Material:	Aluminium						
Status	Modification	Date	Name	Z:\Inventor\Gehäuse\Ex-Gehäuse\Aluminium\15402323000\Alu-Ex-Gehäuse-31-BG-0001-15_402323_000.idw						
Drawing-Nr.:							see table		<div style="font-size: 2em; font-weight: bold;">1</div> of 1 <div style="font-size: 1.5em; font-weight: bold;">A4</div> <div style="font-size: 1.2em; font-weight: bold;">V5</div>	

Please note that the above representation is just a dimension illustration.