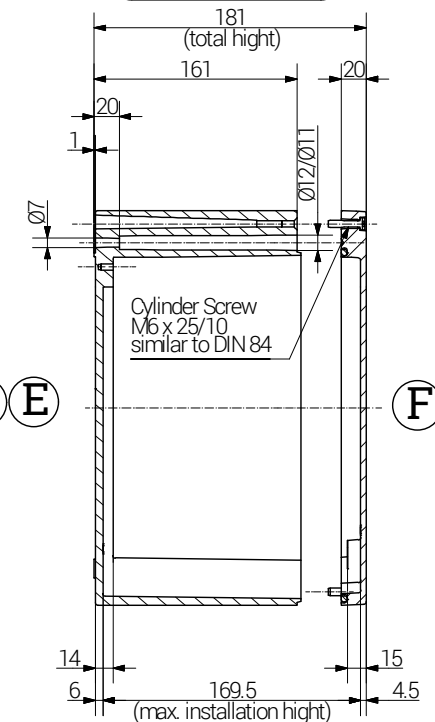
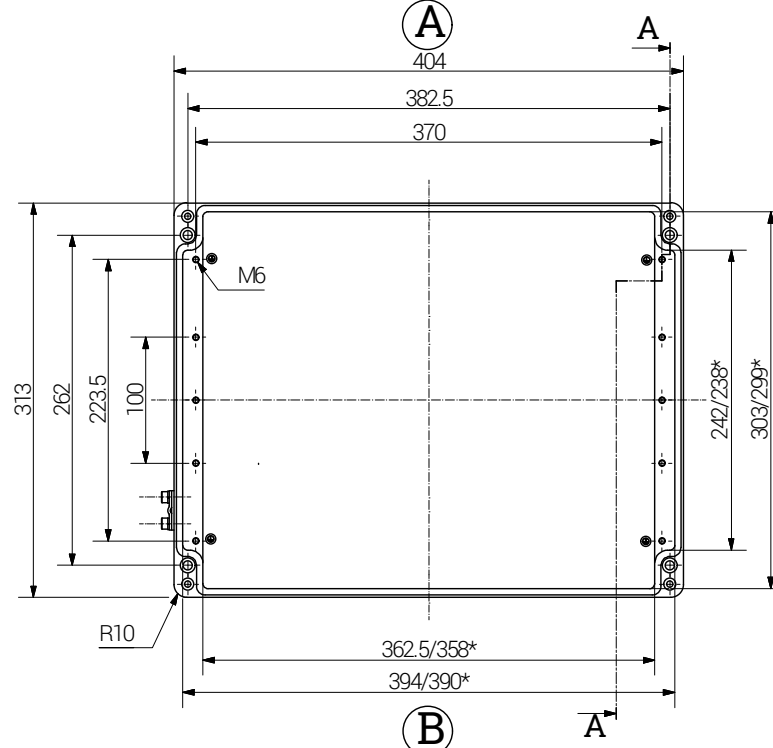
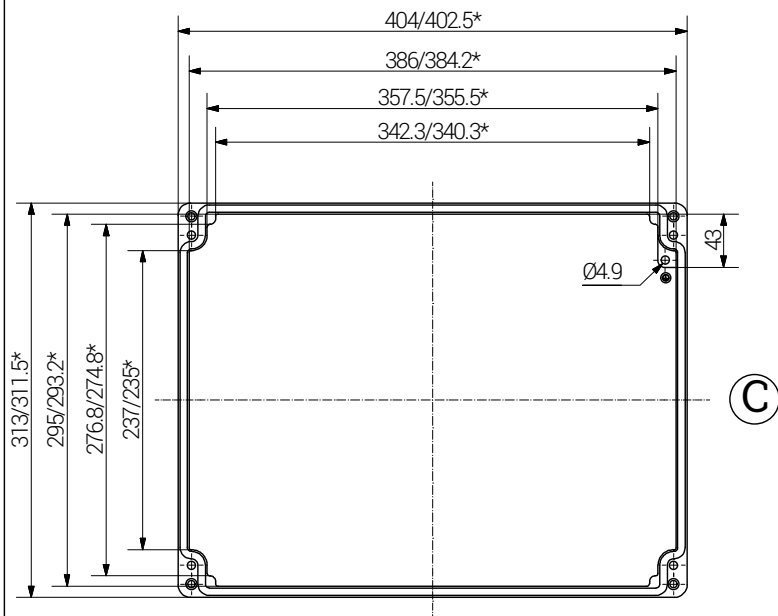


Article		Length (mm)	Width (mm)	Height (mm)	DIN Rail for terminals		PE busbar	PE angle brackets	Mounting Plate galv. Sheet steel Thickness in mm	External Mounting Brackets	External Hinge	Internal Hinges
Ex e	Ex ia				TS 15	TS 35						
15 403118 000	16 403118 000	400	310	180	x	x	2	-	2.0	x	pair	pair

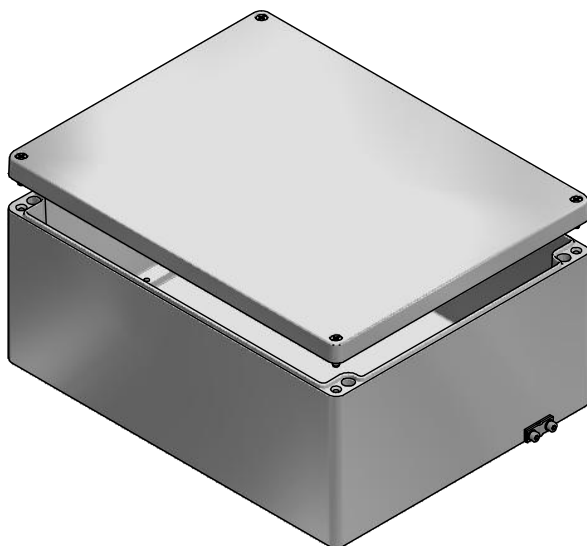
lid

base

Section A-A



\*= Dimension reduced at bottom due to conical form  
Tolerances to GTA 13/5 - DIN 1688.



**RST Rabe-System-Technik und Vertriebs-GmbH**  
 Otto-Lilienthal-Strasse 19  
 49134 Wallenhorst  
 ☎ +49 5407 8766-0  
 ☎ +49 5407 8766-99  
 ✉ info@rst.eu

Unless otherwise specified on the drawing:  
 Metric Thread = EN 60423  
 PG Thread = DIN 40430  
 NPT Thread = ANSI B1.20.1  
 Tolerance: DIN ISO 2768-m  
 All dimensions in mm.

Abusively use, in particular reproduction and dissemination to third parties is not permitted. You can be punished by civil law. Technical changes are reserved.

Status	Modification	Date	Name	Date	Name
				Draw.	12.06.2018 SL
				Appr.	12.06.2018 KH
				Norm	
				Scale:	1:6
				Material:	Aluminium

<h1 style="text-align: center;">Enclosure</h1> <h2 style="text-align: center;">400 x 310 x 180 mm</h2>		Drawing-Nr.: <h1 style="text-align: center;">see table</h1>	1	of
			A4	1
Status: Modification Date Name		Z:\Inventor\Gehäuse\Ex-Gehäuse\Aluminium\15403118000\Alu-Ex-Gehäuse-35-BG-0001-15_403118_000.idw		V7

Please note that the above representation is just a dimension illustration.